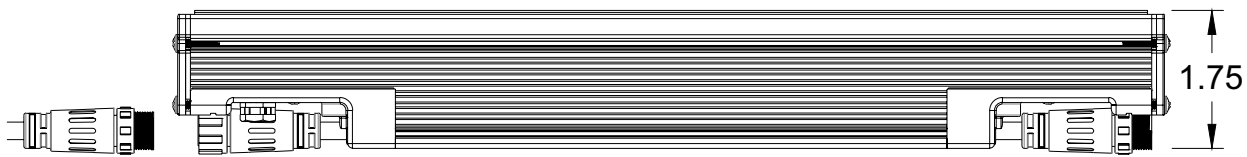
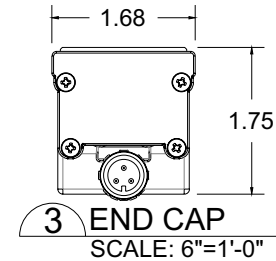


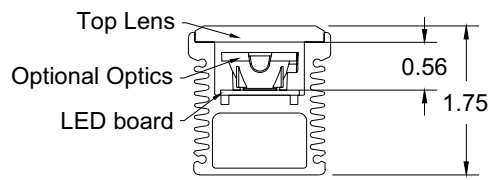
1 PLAN VIEW  
SCALE: 6"=1'-0"



2 ELEVATION VIEW  
SCALE: 6"=1'-0"

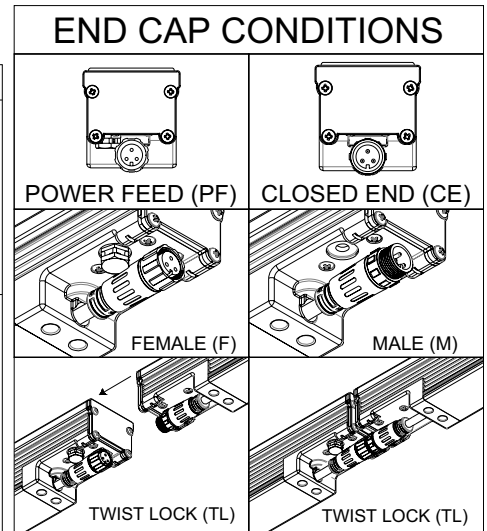
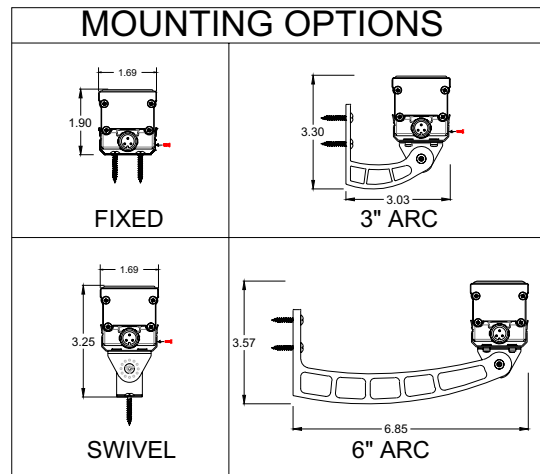


3 END CAP  
SCALE: 6"=1'-0"



4 SECTION  
SCALE: 6"=1'-0"

TECHNICAL DATA	
Parameter	Data
Wattage per Linear Ft.	14.4W @ 120V, 14.7W @ 277V
Input Voltage	90-120VAC, 230-277VAC
Input Current per Linear Ft.	121.6mA @ 120V, 55.0mA @ 277V
Control	Leading edge/ Trailing-edge line dimmer
Power Cable Length	UL Standard 18AWG, 6.5ft.
LED Spacing	1.00"
Fixture Length	12"-96" in 6" increment
Fixture Width	1.68"
Total Height (Not including Clip)	1.75"
Mounting	Adjustable Swivel Clip
Available Optics	120°
Finish Options	White or Black high temperature ABS Plastic
LED Color Options	2K, 24K, 27K, 3K, 35K, 4K, 5K, 65K
Color Rendering Index	90+ CRI
Ratings	Dry
Total linear ft per 20A breaker	131ft. @ 120V, 290ft. @ 277V
Total linear ft per 15A breaker	98ft. @ 120V, 218ft. @ 277V
Total linear ft per power feed	32ft. @ 120V, 72ft. @ 277V
Transformer	N/A



LED Lighting Systems, Technologies, & Manufacturing

508 South Military Trail  
Deerfield Beach FL, 33442

www.boca.lighting  
(561)989-5338

THIS DOCUMENT IS CONFIDENTIAL AND PROTECTED BY  
COPYRIGHTS OF BOCA LIGHTING AND CONTROLS

PRODUCTS NAME:  
**HPNLS-HO-12IN-16W**

FILE NAME: TECHNICAL SHEET	PART #: BF-HPNLS-LO
DRAWN BY: HYORIM LEE	DATE: 04032025
DESIGN BY: LUIS ROSADO	
APPROVED BY: DAVE URBAN	

SCALE: NTS	SHEET: 1 OF 1	REV: 04032025
------------	---------------	---------------