

Max Temp: 55°C
Min. Temp: -40°C

INTRODUCTION:

The Boca InGrade is an ingrade lighting fixture assembly designed to provide lighting in ground-recessed applications. Our IP68 rated HPNLS line voltage fixture rests inside an aluminum housing, protected by a glass lens rated for up to Class 2 vehicles (10,000 lbs).

WARNING: DO NOT LIFT FIXTURE BY CABLES. Do not attempt to install or use the INGRADE fixture without reading the installation instructions and safety labels completely.

This could result in permanent damage to both the fixture and the cables. Damage resulting from grasping cables and/or putting undue pressure on the cable connections will not be covered under the warranty!

FAILURE TO ADHERE TO THESE INSTRUCTIONS COULD RESULT IN SERIOUS INJURY OR PROPERTY DAMAGE. DO NOT MODIFY, ALTER OR ATTEMPT TO SERVICE THE INGRADE DOING SO WILL VOID THE WARRANTY.

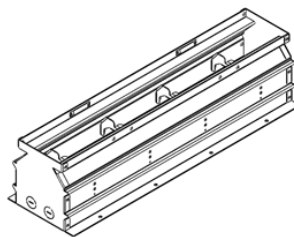
TURN POWER OFF AT CIRCUIT BREAKER BEFORE BEGINNING INSTALLATION!

INCLUDED IN THE PACKAGE:

1. HPNLS Light fixture (In lengths shown on job specific drawings)



2. IG-HPNLS Housing

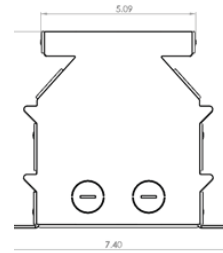
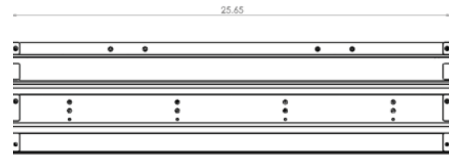
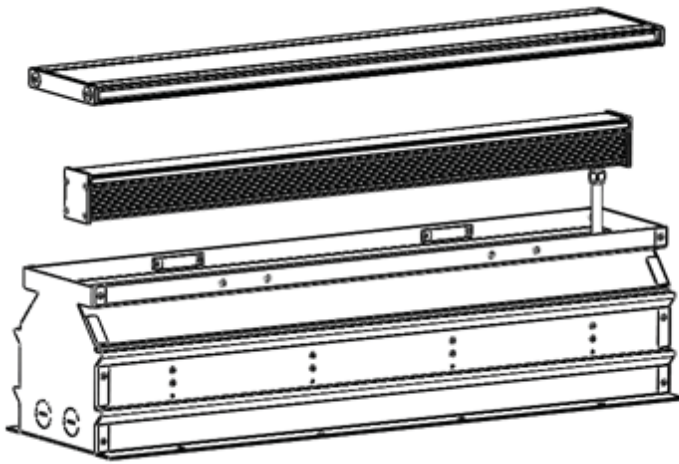


3. IG-HPNLS Glass Lens



INSTALLATION CHECKLIST:

1. Prepare the ground to support IG-HPNLS housing.
2. Verify the drainage efficiency of site including the ground material and drainage piping.
3. Inspect the housing and lighting fixtures for damage or nonconformities.
4. Verify the housing is level.
5. Insure the lighting fixture is securely mounted onto the mounting clips inside the housing.
6. Insure the glass lens cover is properly installed.
7. Fill in ground hole.
8. Make final inspection, insuring glass is level.



KNOCKOUT FOR ELECTRICAL CABLE

2x Knockout holes (1" OD) for conduit

INSTALLATION STEPS

Length	Minimum Drainage Rate
1ft	0.064 gal/min
2 ft	0.119 gal/min
4 ft	0.231 gal/min

Installation location should provide the minimum amount of drainage as described in the table.

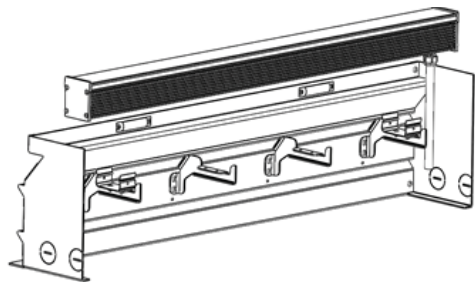
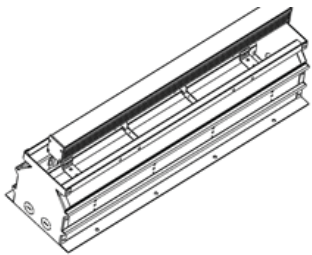
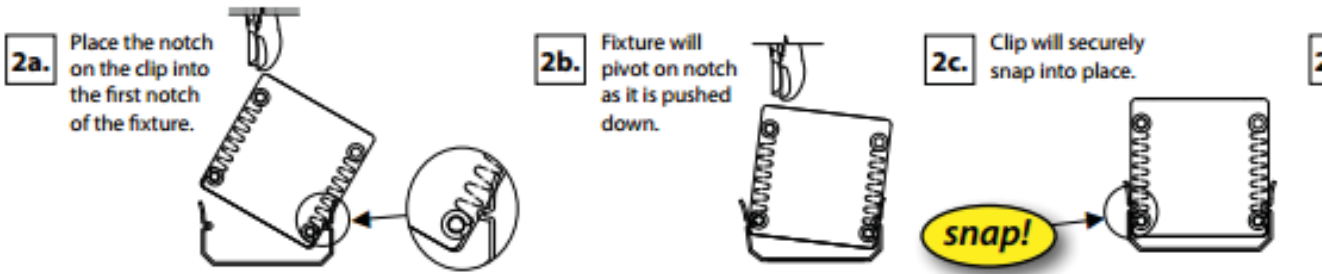
1. Prepare The Ground

- Determine whether the drainage piping and material provide adequate drainage as described in the table.

- Determine the type of materials in the hole the housing will be installed in. If concrete, or other hard ground, ensure that proper drainage piping and electrical conduits are present. Soft ground, such as Type I or Type II soil, must also provide adequate drainage.
 - » Soft ground must provide adequate support for the housing's base flanges to be mounted.

2. Prepare HPNLS Lighting Fixture inside Housing

- The housing includes 2x Mounting Clips secured to brackets. The HPNLS lighting fixture is to be snapped into these clips, with the electrical cable facing the location of the conduit.



3. Install Conduits and Electrical Cables

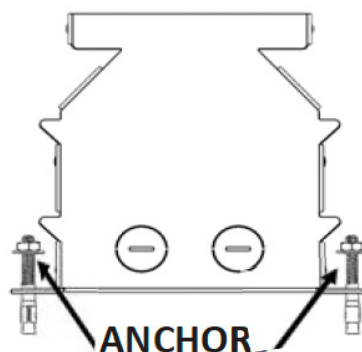
- Remove knockout covers as needed to install conduit and electrical cables.
- Knockout hole diameter is 1". Installation should use conduit (flexible or rigid pipe) appropriate to location and application.
- Connect conduit to housing with conduit couplers.
- Refer to HPNLS guide provided for job specific electrical connection instructions.
- Provide power and test connections.

4. Housing Placement and Alignment

- Pour concrete or other filling material around the housing. Filling material should be flush with the top of the housing.
 - » Be sure to remove any concrete or other filling material from the exposed top surfaces as it interferes with the installation of the glass lens.
- Lay housing flat on to hole floor and ensure the housing is level.
 - » The InGrade Glass Lens may be installed at this point to aid in leveling. Refer to step 7.
- Make any adjustments to hole floor to level the top surface.
 - » Base flanges must remain fully supported by any adjustments to floor to maintain structural integrity; i.e. no gaps shall be present between flange and floor.

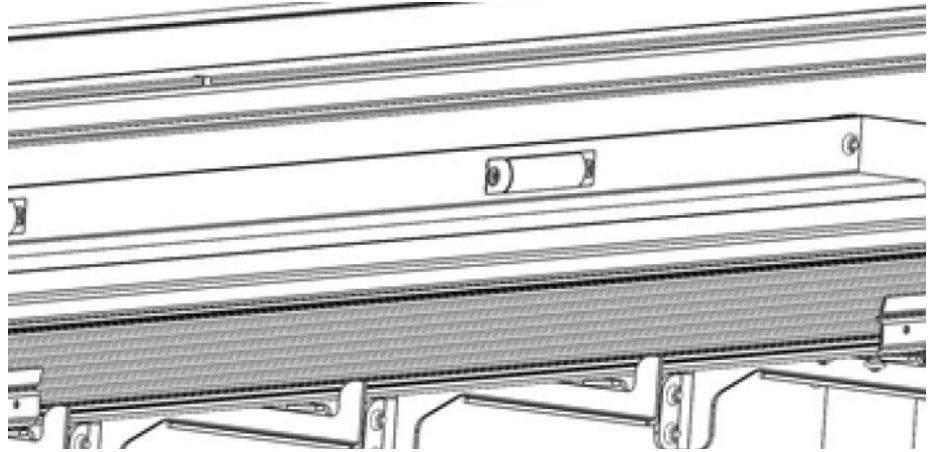
5. Filling the Ground

- With housing and connections in place, secure the housing flanges in the ground with application appropriate fasteners or anchors. 1/4" diameter anchors are recommended.
- Pour concrete or other filling material around the housing. Filling material should be flush with the top of the housing.
 - » Be sure to remove any concrete or other filling material from the exposed top surfaces as it interferes with the installation of the glass lens.



6. Lens Installation

- With the filling material set, place the glass lens cover over the housing and press down until the security clips click.



1. DANGER:

To reduce the risk electric shock, always unplug the INGRADE from electrical outlet before cleaning. Cut breaker if outlet is not available.

2. To reduce the risk of burns, fire, electric shock or injury to persons:

- Use the INGRADE only for its intended use as described in these instructions.
- Do not use attachments not recommended by Boca Lighting and Controls.
- Never operate the INGRADE if it has a damaged cord, cable or plug, if it is not working properly, if it has been dropped or damaged, or dropped into water. If the seal appears to be damaged/broken/torn return the fixture to a service center for examination or repair.
- Keep cables away from heated surfaces
- Never drop or insert any object into any opening.
- Do not operate where aerosol (spray) products are being used or where oxygen is being administered.

3. WARNING:

- Do not attempt to install or use the INGRADE without reading the installation instructions and safety labels.
- Failure to adhere to these instructions could result in serious injury or property damage.

4. Do not modify, alter or attempt to service the INGRADE:

- Doing so will void the warranty.

5. There are no serviceable parts within the INGRADE:

- Please contact your local representative if issues arise on site during or after installation.

6. Do not use sharp tools near or on the fixture lens:

- Doing so will result in property damage and void the warranty.