



Max Temp: 55°C
Min. Temp: -40°C

INTRODUCTION:

The Boca NANOROUTER is an interface module for Boca Flasher's smart lights.

ELECTRICAL SPECIFICATIONS:

1. Input Voltage: 120V / 20A Max
2. Output Ports: 120V / 5A Max each

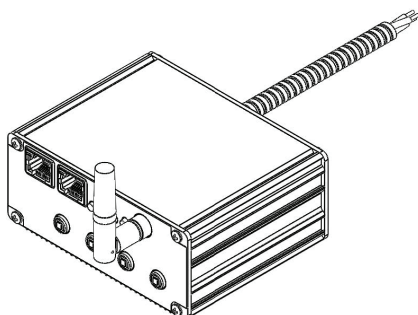
SAFETY REMINDERS:

1. NANOROUTER has no On/Off switch
2. Cut off main breaker prior to and during installation
3. Each output port is protected by a 5A breaker

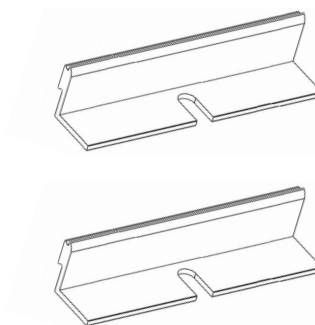
TURN POWER OFF AT CIRCUIT BREAKER BEFORE BEGINNING INSTALLATION!

INCLUDED IN THE PACKAGE:

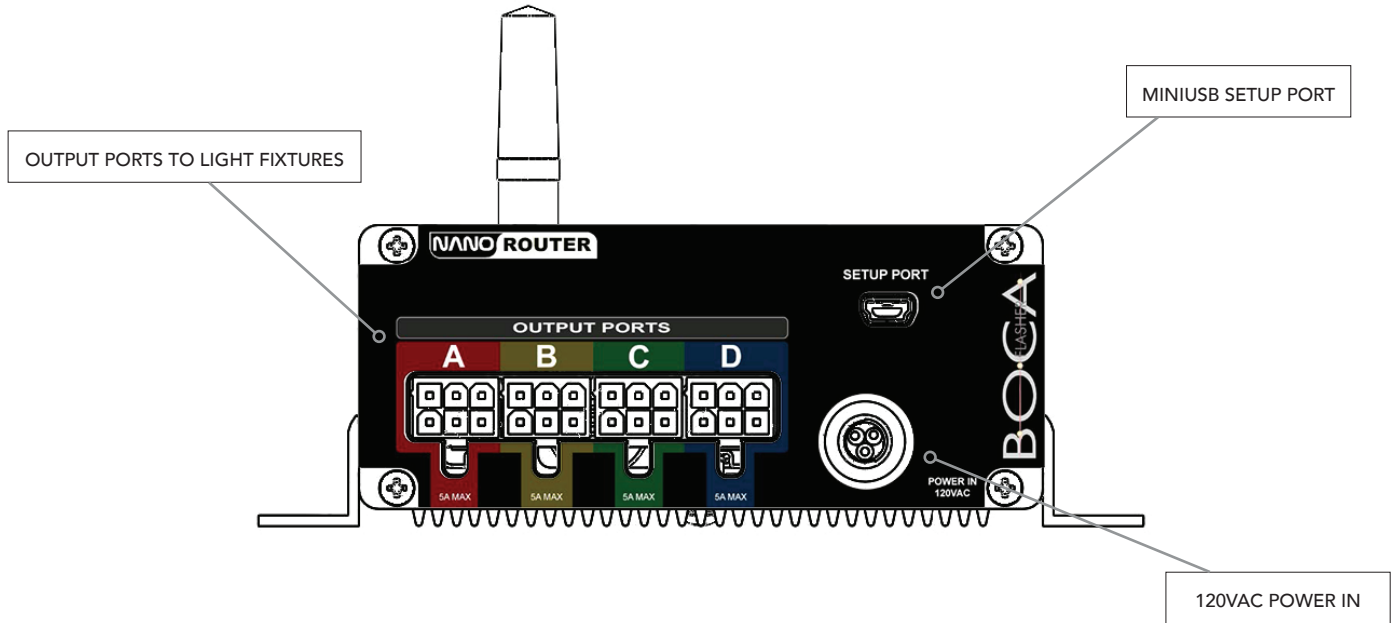
1. NANOROUTER



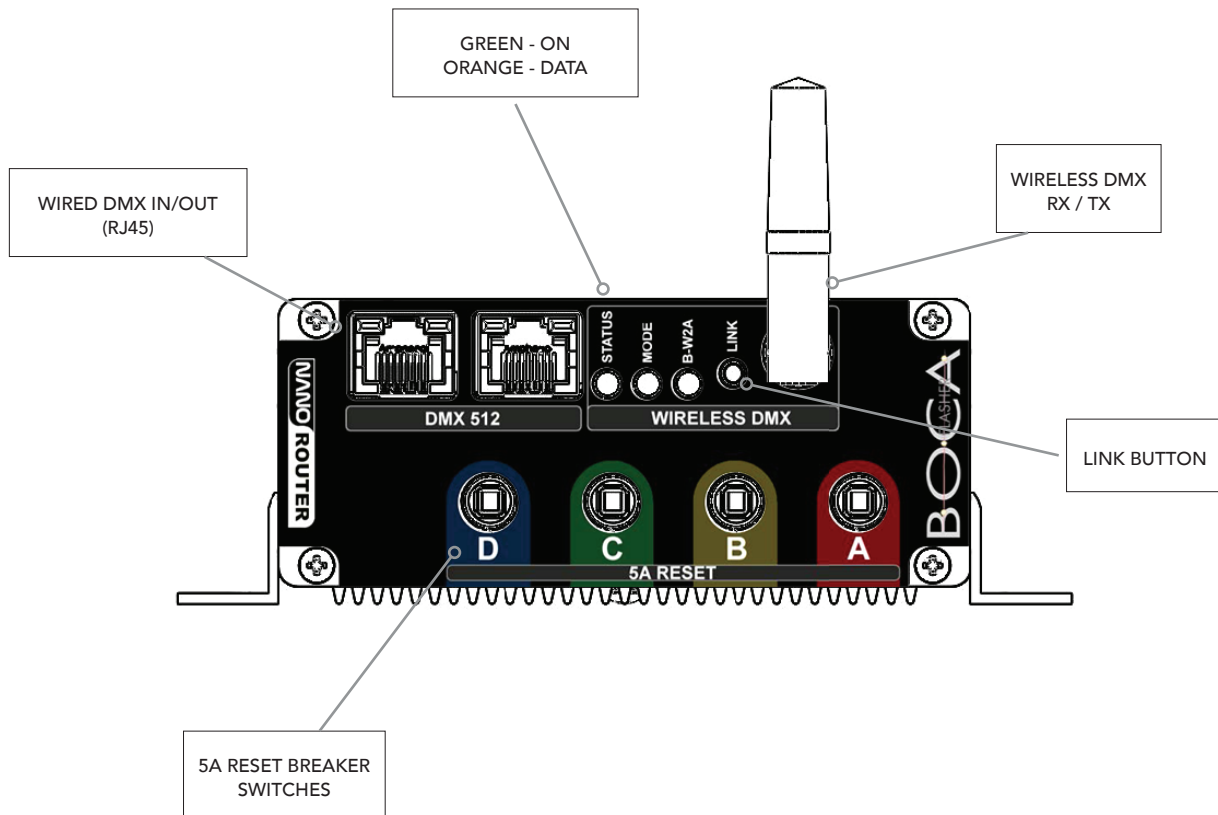
2. Mounting Brackets (optional)



BACK OF NANOROUTER:



FRONT OF NANOROUTER:



INSTALLATION INSTRUCTIONS

Light fixtures to be connected are securely mounted and electrically connected if receiving wireless DMX.

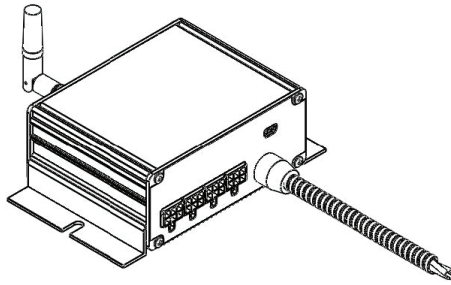
1. If equipped with optional mounting brackets, NANOROUTER is mounted to secure surface with screws



Note: Mounting brackets can be configured in a variety of positions.

2. NANOROUTER is wired to 120VAC supply via power cable.

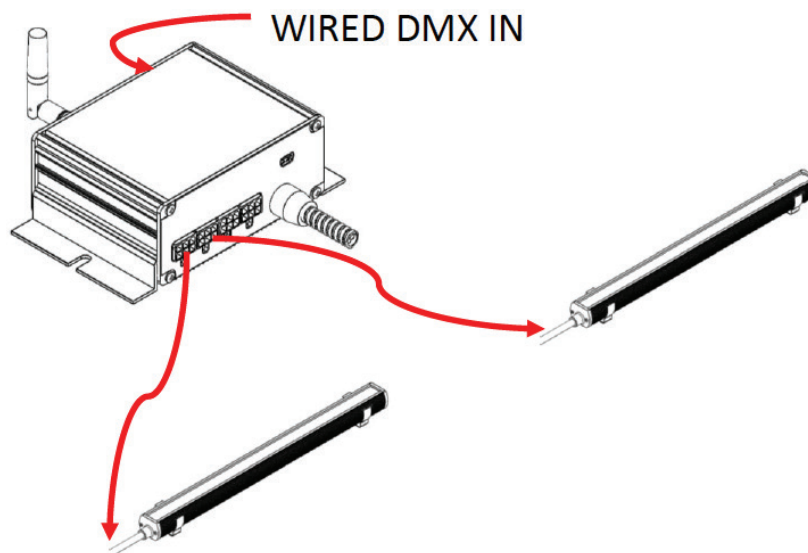
Black - Line
White - Neutral
Green - Ground



CONNECTION CONFIGURATIONS

1. Wired DMX input to wired output (Default Configuration)

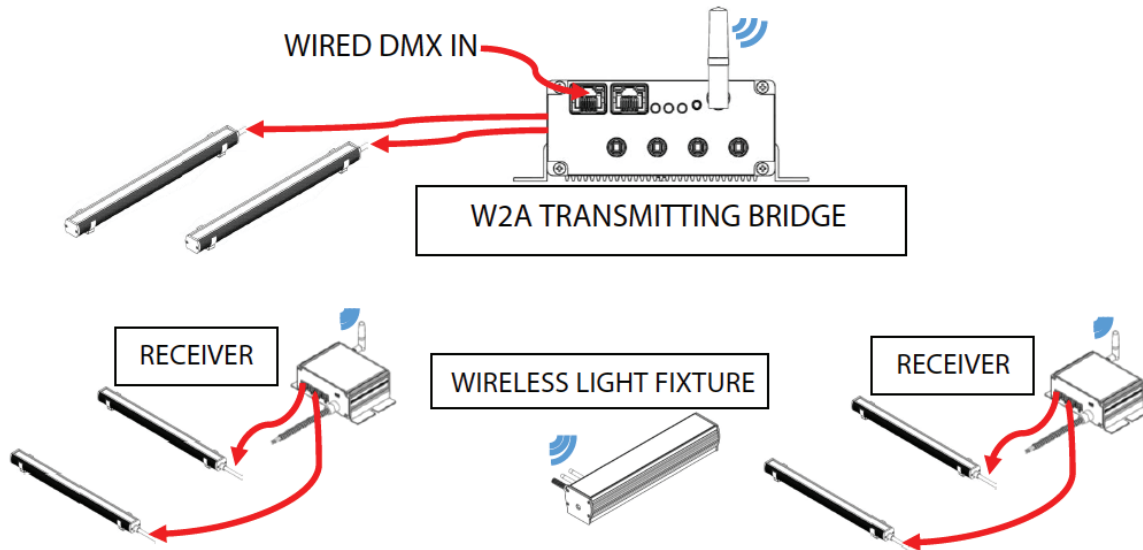
NANOROUTER receives DMX input via wired connection and routes signal to wired light fixtures.



2. Wired DMX input to wireless output (W2A Bridge Mode)

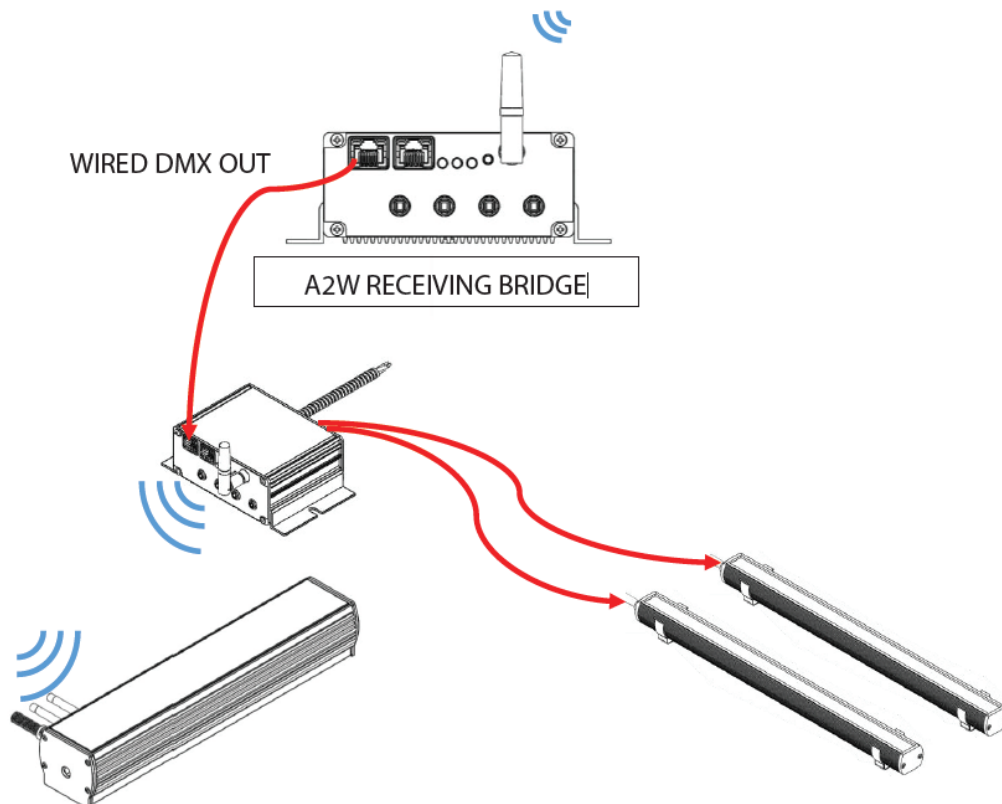
NANOROUTER is configured to function as wired to air bridge, receiving DMX input via wired connection and transmitting wireless signal to NANOROUTER in Receiver mode and wireless enabled light fixtures.

Note, output ports A,B,C, D are active and transmit data and load in any configuration.



3. Wireless DMX input to wired output (A2W Bridge Mode)

NANOROUTER is configured to function as air to wired bridge, receiving DMX input wirelessly and transmitting through DMX wired connection.



LINK BUTTON

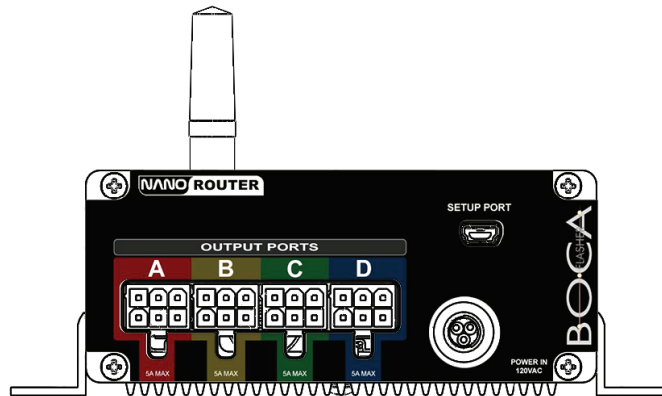
This button is used to link or unlink wireless receivers within range.

- Link: When the button is pressed for a brief period of time the transmitter will link unlinked receivers within range.
- Unlink: On a transmitter (W2A Mode), holding the button for more than 3 seconds and then releasing it will cause any linked receivers to unlink. On a receiver (A2W or Receiver Mode), holding the button for more than 3 seconds will cause the receiver to unlink.

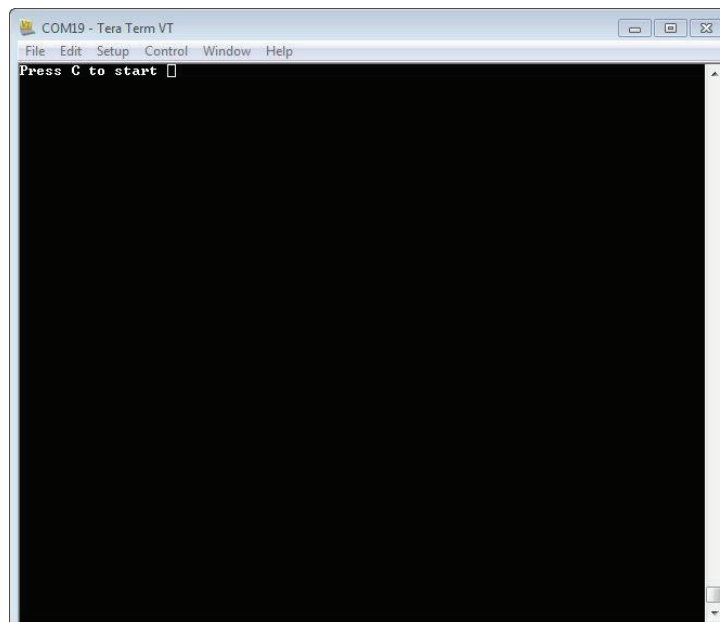
CONFIGURATION INSTRUCTIONS:

1. Connect NANOROUTER to computer via miniUSB Setup Port and open a hyper-terminal with the following port settings:

- 9600 baud
- 8 bit
- No parity
- No Hardware Flow Control.

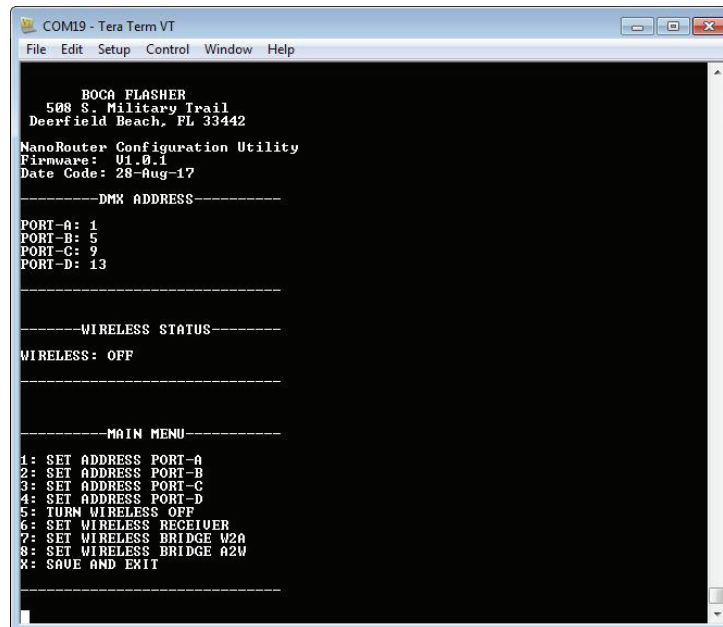


2. Open Terminal window and press "C" to begin configuration.



3. Main Menu displays the current DMX addresses (default settings if first time setup).

Press the number on the keyboard that corresponds to the function you wish to use.



4. Functions 1 through 4 allow the setup of new addresses for each port. Default addresses are:

1, 5, 9, 13 for Ports A, B, C, D respectively.

Press BACKSPACE to clear current address and enter new address. Press ENTER to confirm address.



5. Function 5 sets wireless functions off (Wireless DMX off, Wired DMX on by default).

6. Functions 6, 7, and 8 enable the different wireless functions.

- Function 6 sets the NANOROUTER to Receiver Mode. (Wireless DMX receiving, Wired DMX off)
- Function 7 sets the NANOROUTER to W2A Bridge mode, wired to air. (Wired DMX receiving, Wireless DMX transmitting)
- Function 8 sets the NANOROUTER to A2W Bridge mode, air to wired. (Wired DMX transmitting, Wireless DMX receiving).

7. Press "X" to save settings and exit configuration. A configuration report is displayed upon exit.

Note: The USB cable must be unplugged to enable normal operation of the NANOROUTER

```
Saving Configuration Data....Please Wait....
```

```
-----REPORT-----
```

```
PORT-A: 1  
PORT-B: 5  
PORT-C: 9  
PORT-D: 13  
WIRELESS: OFF
```

```
All Data are Saved. OK to Disconnect Terminal
```

```
NOTE:
```

```
UNPLUG USB CABLE FROM ROUTER TO ENABLE NORMAL OPERATION
```