

TASK
Shallow Profile LED Fixture

Customer: _____ Date: _____

Project: _____

Wattage/Foot	ON: 10W / Mid: 5W / Lo: 3W Clean Boost: 15 (20 minute time out on CB)
Input Voltage	90-120VAC, 230-277VAC
Input Current	Model Dependent
Control	Integral Touch Dimmer, Vacancy/Occupancy Sensor Standard* - Sensor range of either 85° or 120°.
LED Spacing	1"x1.5" on Center
Length	Master fixture 16" - 88": Satellite fixtures 13" - 91", 6" increments. Allow 1" for each L-Bracket and 2" for power feed cable.
Total Height	0.85" (not including clip)
Total Width	3.03"
Color Options	2700K, 3000K, 3500K, 4000K, 5000K
Mounting	L-Bracket or Magnetic Bar
Available Optics	120°
Rating	Interior Only
CRI	90+ CRI
Power Cable	UL Standard 6 ft.
Lens	Diffused lens standard. Contact factory for options.
Dimming	Patented CleanDim® Technology ensures even dimming from 0-100%.
Max Run	Max 30 LED boards per power feed.
Environmental	Operating temperature: -40°F-140°F Ambient(-40°C-60°C)** Storage temperature: -40°F-140°F Ambient indoor fixtures operation limited to =<50% relative humidity

*Control on Master Units Only

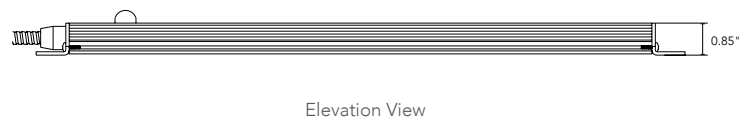
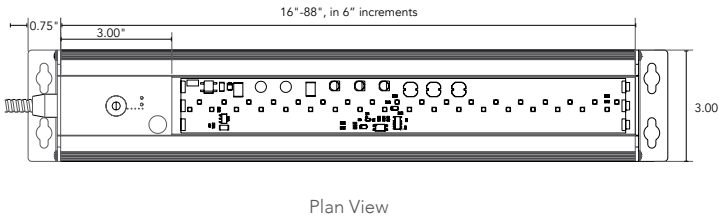
** Military spec available under special request-lead times and cost may be impacted.



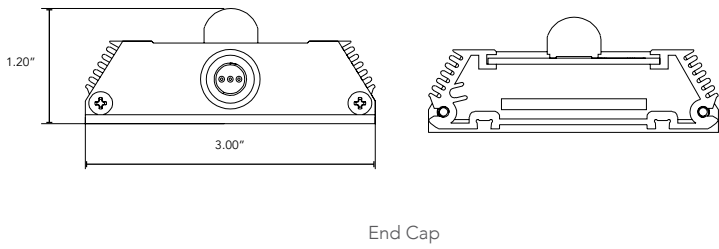
PRODUCT SPECIFICATIONS:

Task	COLOR OPTION	VOLTAGE	FINISH	OCCUPANCY / VACANCY SENSOR	MOUNTING	WIRING	OPTION
			W				
S Satellite	2700K	120V	W White	NS No Sensor	MB Magnetic Bars	EP Three Prong Plug	
M Master	3000K	277V		85° 85° x 75°	This option is not available with hardwiring (HW)	HW Hardwired	
(Masters have on/off dimming & optional occ/vac sensor)	3500K			120° 120° x 90°	LB L-Shaped Bracket		
	4000K						
	5000K						

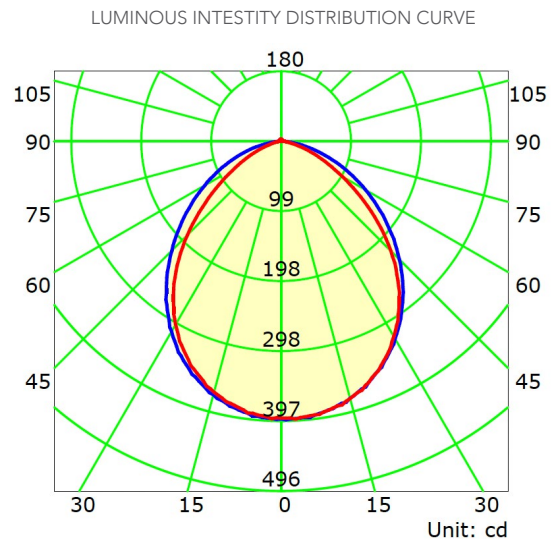
DIMENSIONS:



FIXTURE INFORMATION:



LUMINAIRE INFORMATION:



LUMEN DATA PER FOOT - 3000K

- INITIAL ON-10W-Total Rated Lamp Lumens:** 913.5 lm
- MID-5W-Total Lamp Lumens:** 398.6 lm
- LOW-3W-Total Lamp Lumens:** 276.5 lm
- CLEAN BOOST-15W-Total Lamp Lumens:** 1136.4 lm

- LLF:**
- 2700K-.90
 - 3500K-1.2
 - 4000K-1.4
 - 5000K-1.6

LENGTHS:

TASK LIGHTMASTER	LENGTH	A	B	TASK LIGHTSATELLITE	C	EQUIVALENT IN FEET
				BF-TASK-S-13	13"	1 FT
BF-TASK-M-16	16"	15.5	12.5	BF-TASK-S-19	19"	1.5 FT
BF-TASK-M-22	22"	21.5	18.5	BF-TASK-S-25	25"	2 FT
BF-TASK-M-28	28"	27.5	24.5	BF-TASK-S-31	31"	2.5 FT
BF-TASK-M-34	34"	33.5	30.5	BF-TASK-S-37	37"	3 FT
BF-TASK-M-40	40"	39.5	36.5	BF-TASK-S-43	43"	3.5 FT
BF-TASK-M-46	46"	45.5	42.5	BF-TASK-S-49	49"	4 FT
BF-TASK-M-52	52"	51.5	48.5	BF-TASK-S-55	55"	4.5 FT
BF-TASK-M-58	58"	57.5	54.5	BF-TASK-S-61	61"	5 FT
BF-TASK-M-64	64"	63.5	60.5	BF-TASK-S-67	67"	5.5 FT
BF-TASK-M-70	70"	69.5	66.5	BF-TASK-S-73	73"	6 FT
BF-TASK-M-76	76"	75.5	72.5	BF-TASK-S-79	79"	6.5 FT
BF-TASK-M-82	82"	81.5	78.5	BF-TASK-S-85	85"	7 FT
BF-TASK-M-88	88"	87.5	84.5	BF-TASK-S-91	91"	7.5 FT

TASK LIGHT LENGTHS: in inches.

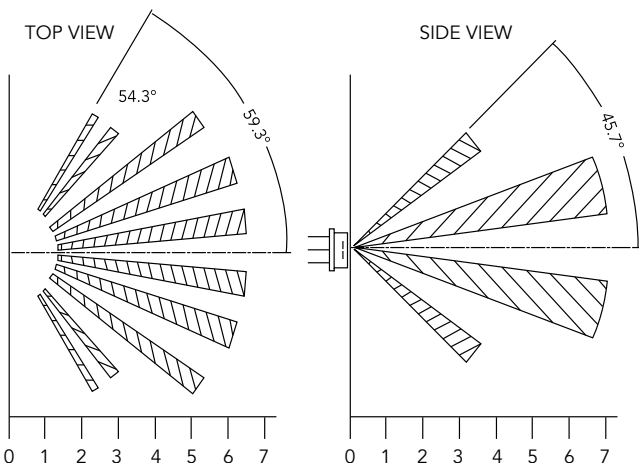
TASK LIGHT MASTER: Length A is in reference to the overall length of the fixture. This measurement includes the 3" sensor and the actual light output. Length B is in reference to the actual light output.

TASK LIGHT SATELLITE: Length C is in reference to the overall length of the fixture which is the actual light output. Satellite fixtures do not come with a sensor.

*Please allow an additional 2" for the fixed mount brackets to be mounted to the surface.

OCCUPANCY/VACANCY SENSOR DISTRIBUTION PATTERN:

120° x 90° Distribution



85° x 75° Distribution

