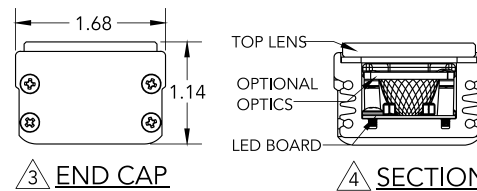
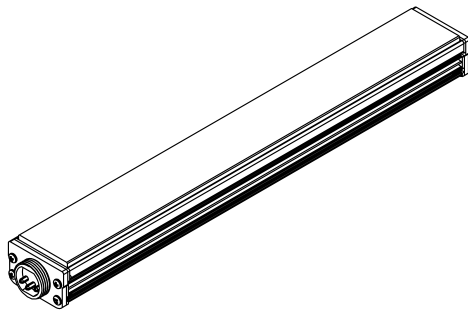


1 PLAN VIEW

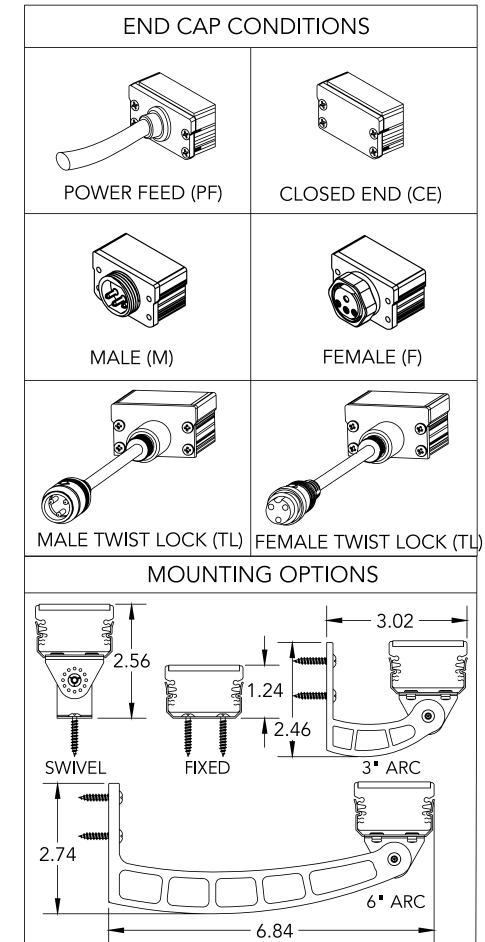


2 ELEVATION VIEW



3 END CAP

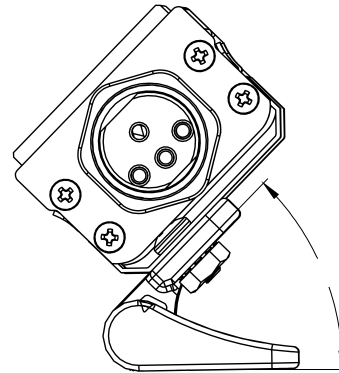
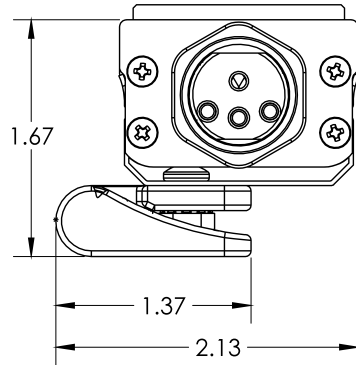
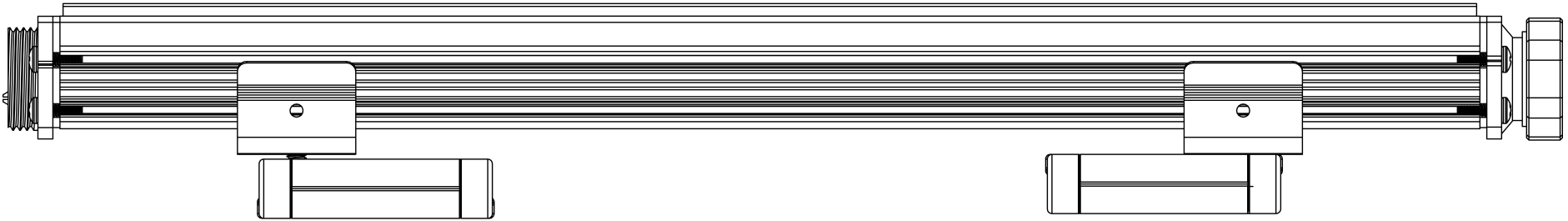
4 SECTION



TECHNICAL DATA	
Parameter	Data
Power	10 watts per linear ft.
Input Voltage	90-120V or 230-277V
Input Current per Linear Ft	88mA@120V or 40mA@277V
Control	Leading-edge/Trailing-edge line dimmer
Power Cable Length	UL Standard 10ft
LED Spacing	1.5" on center
Fixture Length	12"-96", in 6" increment
Fixture Width	1.68"
Total Height (not including clips)	1.04"
Mounting	Fixed, Swivel, 3" Arc Bracket or 6" Arc Bracket
Available Optics	10°, 30°, 60°, 10°x60°, 30°x60°, 120°
Finish Options	Clear or Black Anodized Aluminum
LED Color Options	27K, 3K, 35K, 4K, 5K, Amber, Red, Green, Blue
Color Rendering Index	90+ CRI
Ratings	Dry, IP65, IP68
Total Linear ft per 20A breaker	128ft@120V or 280ft@277V
Total Linear ft per 15A breaker	96ft@120V or 210ft@277V
Total Linear ft per Power Feed	56ft@120V or 120ft@277V
Transformer	N/A

<p>LED Lighting Systems, Technologies, & Manufacturing</p>		PRODUCT NAME: HPNFC-H08	
		FILE NAME: TECHNICAL SHEET	PART #: HPNFC-H08
508 South Military Trail Deerfield Beach FL, 33442		www.BocaFlasher.com (561) 989-5338	
THIS DOCUMENT IS CONFIDENTIAL AND PROTECTED BY COPYRIGHTS OF BOCA FLASHER INC.		DRAWN BY: HYERI KANG	DATE: 03272020
		DESIGN BY: LUIS ROSADO	
		APPROVED BY: M. PINDER	
SCALE:	SHEET: 1 OF 2	REV: A	

<HINGE VIEW>



LIGHTING | CONTROLS
LED Lighting Systems, Technologies, & Manufacturing

508 South Military Trail
Deerfield Beach FL, 33442

www.BocaFlasher.com
(561) 989-5338

THIS DOCUMENT IS CONFIDENTIAL AND PROTECTED
BY COPYRIGHTS OF BOCA FLASHER INC.

PRODUCT NAME:
HPNFC-H08

FILE NAME: TECHNICAL SHEET

PART #:HPNFC-H08

DRAWN BY: HYERI KANG

DATE: 03272020

DESIGN BY: LUIS ROSADO

APPROVED BY: M. PINDER

SCALE:

SHEET: 2 OF 2

REV: A