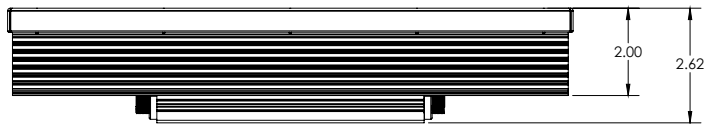
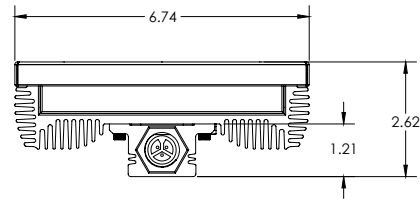


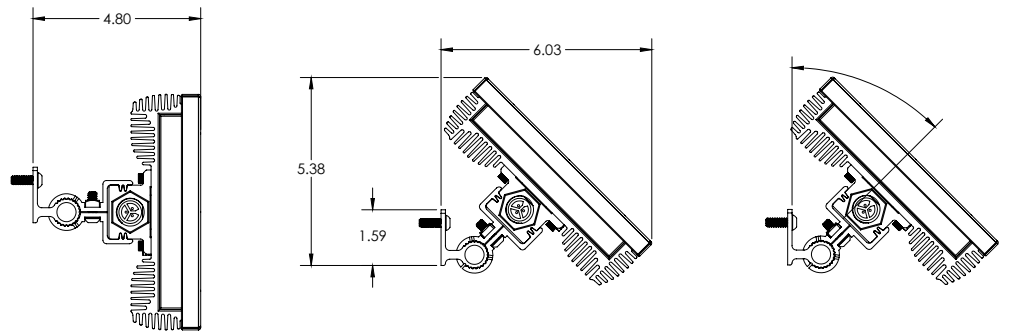
1 PLAN VIEW




2 ELEVATION VIEW



MOUNTING OPTIONS



TECHNICAL DATA	
Parameter	Data
Power	48 Watts per linear ft.
Input Voltage	90-120V or 230-277V
Input Current per Linear Ft	400mA@120V or 180mA@277V
Control	Leading-edge/Trailing-edge line dimmer
Power Cable Length	UL Standard 10ft
LED Spacing	1" x 1.5" on center
Fixture Length	1Ft, 2Ft, 4Ft
Fixture Width	7.50"
Total Height (not including clips)	3.05"
Mounting	Swivel and Large Swivel Bracket
Available Optics	10°, 24°, 36°, 10°x45° (r, g, b), 120°
Finish Options	Clear Anodized Aluminum
LED Color Options	27K, 30K, 35K, 40K, 50K, Amber, Red, Green, Blue
Color Rendering Index	90+ CRI
Ratings	Dry, IP65, IP68
Total Linear ft per 20A breaker	40ft@120V or 90ft@277V
Total Linear ft per 15A breaker	30ft@120V or 65ft@277V
Total Linear ft per Power Feed Transformer	Power Feed Wire Gauge Dependent N/A

 LED Lighting Systems, Technologies, & Manufacturing		PRODUCT NAME: SBL-MC		
		FILE NAME: TECHNICAL SHEET	PART #: SBL-MC	
508 South Military Trail Deerfield Beach FL, 33442		www.BocaFlasher.com (561) 989-5338	DRAWN BY: HYERI KANG	DATE: 03272020
THIS DOCUMENT IS CONFIDENTIAL AND PROTECTED BY COPYRIGHTS OF BOCA FLASHER INC.		DESIGN BY: LUIS ROSADO		
		APPROVED BY: M. PINDER		
SCALE:	SHEET: 1 OF 1	REV: B		