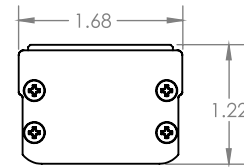
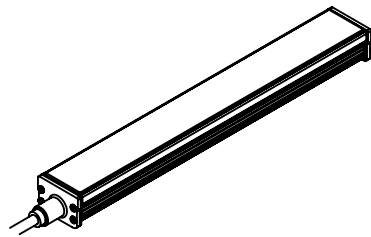


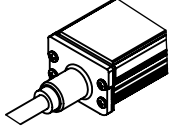
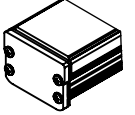

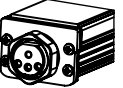
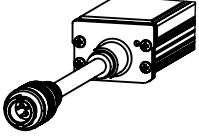
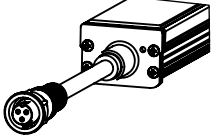
1 PLAN VIEW

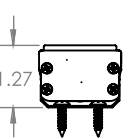
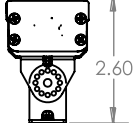
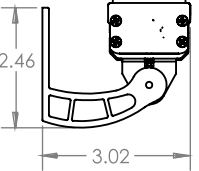


2 ELEVATION VIEW



3 END CAP

END CAP CONDITIONS	
 POWER FEED (PF)	 CLOSED END (CE)
 MALE (M)	 FEMALE (F)
 TWIST LOCK MALE (TL)	 TWIST LOCK FEMALE (TL)

MOUNTING OPTIONS		
 FIXED	 SWIVEL	 ARC

TECHNICAL DATA	
Parameter	Data
Power	10 watts per linear ft.
Input Voltage	90-120V
Input Current per Linear Ft	85mA@120V
Control	Leading-edge/Trailing-edge line dimmer
Power Cable Length	UL Standard 10ft
LED Spacing	0.66" on center
Fixture Length	12"-96", in 6" increment
Fixture Width	1.68"
Total Height (not including clips)	1.04"
Mounting	Fixed, Swivel, 3" Arc Bracket or 6" Arc Bracket
Available Optics	120°
Finish Options	Clear or Black Anodized Aluminum
LED Color Options	27K, 3K, 35K, 4K,5K
Color Rendering Index	90+ CRI
Ratings	Dry, IP65, IP68
Total Linear ft per 20A braker	128ft@120V or 280ft@277V
Total Linear ft per 15A braker	96ft@120V or 210ft@277V
Total Linear ft per Power Feed Transformer	56ft@120V or 120ft@277V


 LIGHTING | CONTROLS
 LED Lighting Systems, Technologies, & Manufacturing

508 South Military Trail
 Deerfield Beach FL, 33442

www.BocaFlasher.com
 (561) 989-5338

THIS DOCUMENT IS CONFIDENTIAL AND PROTECTED BY COPYRIGHTS OF BOCA FLASHER INC.

PRODUCT NAME: LUMELINE		
FILE NAME: TECHNICAL SHEET	PART #:	
DRAWN BY: HYERI KANG	DATE: 03272020	
DESIGN BY: LUIS ROSADO		
APPROVED BY: M. PINDER		
SCALE:	SHEET: 1 OF 1	REV: B