

Max Temp: 55°C
Min. Temp: -40°C

INTRODUCTION:

The Boca CCS100 is designed for low power applications where energy consumption and size are the main concerns. It can be specified with either one row or two rows, depending on the light output required. It offers seamless LED configuration, easy installation, and vibrant monochromatic color. The CCS100 can be used with any magnetic low voltage dimmer and is available in different housings for different uses, including underwater installations where IP68 is required.

ELECTRICAL SPECIFICATIONS:

1. Input Voltage: 24 VDC or 24 VAC
2. Total linear ft per distribution box: 80 ft (10 ft per port)
3. Total linear ft per 100watt transformer: 22 ft
4. Total linear ft per 300watt transformer: 66 ft
5. Input Current: 150mA RMS per linear ft

MAINTENANCE:

Storage:

Store in a dry, well-ventilated area when product is not in use. Keep the electrical cord away from heated surfaces when in use or not in use. If cord shows signs of damage do not use, return product to manufacturer.

Cleaning:

Dry and Damp (IP68) Rated Fixtures:
To clean surface use a soft damp cloth.

Wet (IP68) Rated Fixtures:
To clean surface use a soft cloth with mild soap and water.

1. Fixtures must be installed by a qualified and licensed electrician in accordance with all national, state and local electrical codes and regulations. If any part of this manual does not meet the necessary codes and regulations, contact the factory for more information before attempting to install.

WARNING: DO NOT LIFT FIXTURE BY CABLES. Do not attempt to install or use the CCS-100 fixture without reading the installation instructions and safety labels completely.

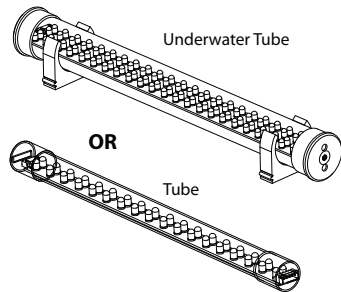
This could result in permanent damage to both the fixture and the cables. Damage resulting from grasping cables and/or putting undue pressure on the cable connections will not be covered under the warranty!

FAILURE TO ADHERE TO THESE INSTRUCTIONS COULD RESULT IN SERIOUS INJURY OR PROPERTY DAMAGE. DO NOT MODIFY, ALTER OR ATTEMPT TO SERVICE THE CCS-100 DOING SO WILL VOID THE WARRANTY.

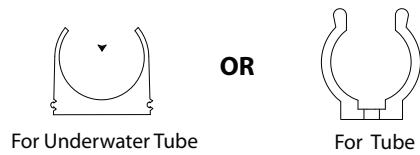
TURN POWER OFF AT CIRCUIT BREAKER BEFORE BEGINNING INSTALLATION!

INCLUDED IN THE PACKAGE:

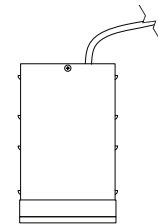
1. CCS-100 Fixtures (In lengths shown on job specific drawings)



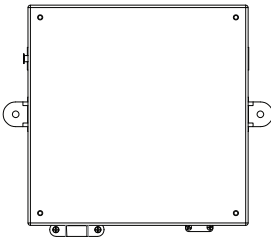
2. Mounting Brackets (2 brackets per fixture)



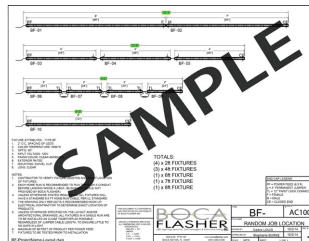
3. Remote Transformers (If ordered)



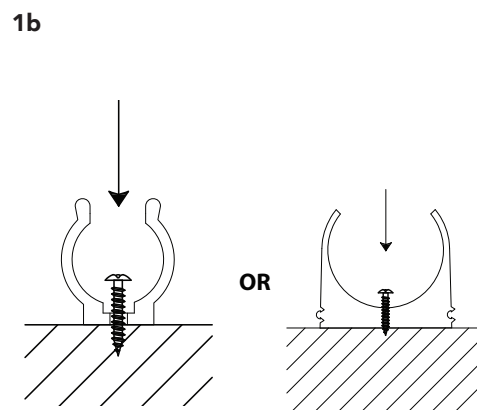
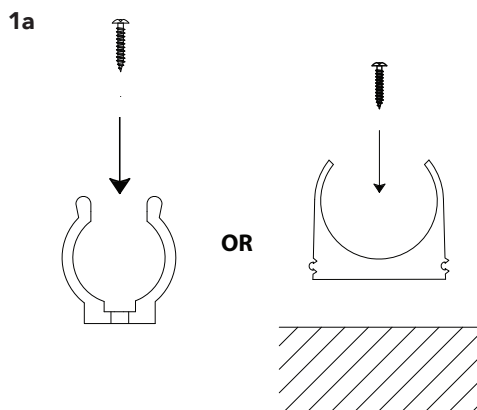
4. I.M.C.S. Distribution Box (If ordered)



5. Job Specific Drawings



1: INSTALL CLIPS INTO SUBSTRATE

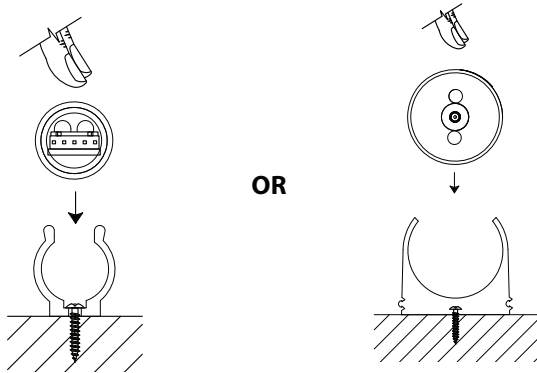


Screw Information:

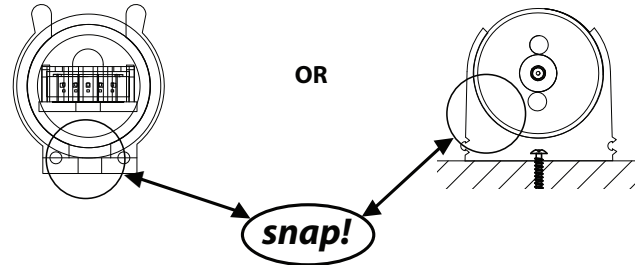
1. Screws not provided by Boca Flasher.
2. Boca Flasher recommends wide washer flat head Phillips #8 screw (not to exceed .418" in diameter).
3. Length of screw will vary depending on mounting surface.
4. For outdoor installations, installer should use a screw with weatherproof coating.

2. INSTALL FIXTURES INTO CLIPS

2a Push Fixture down with slightly firm pressure.



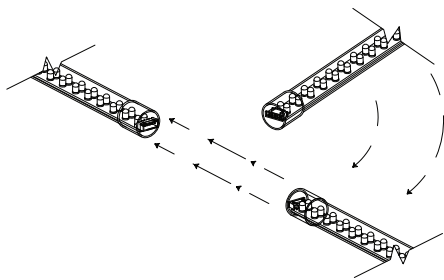
2b Clip will securely snap into place.



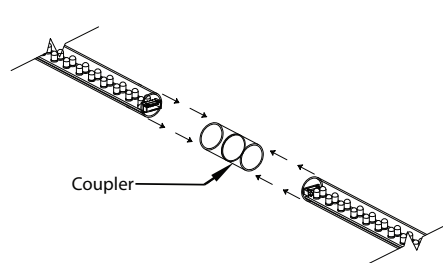
3. CONNECT FIXTURES TOGETHER FOR TUBE ONLY

(As Shown on Job Specific Drawings) NOTE: Underwater Tube ships connected.

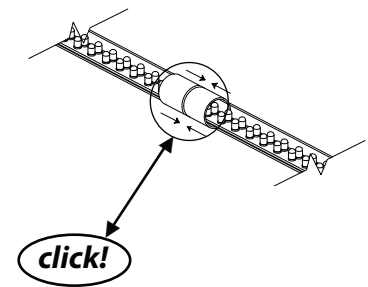
3a Connect Male and Female connectors in order shown on job specific drawings.



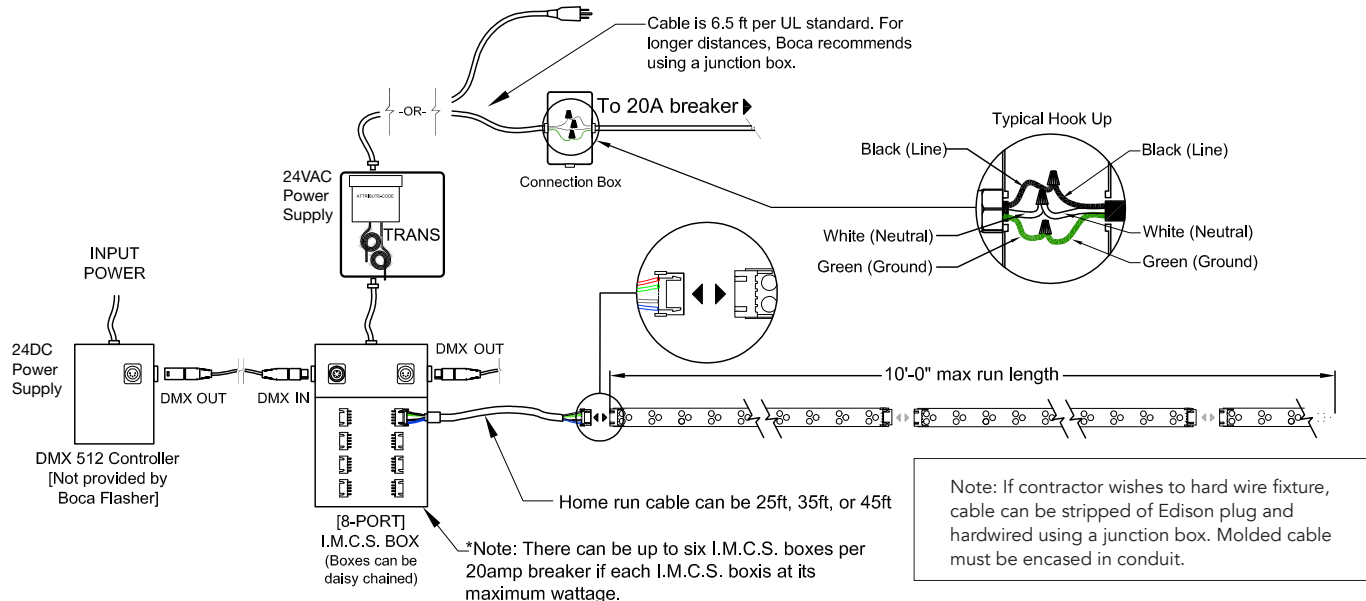
3b



3c Push together until you hear "Click".



4. CONNECT FIXTURES TO POWER



1. DANGER:

To reduce the risk electric shock, always unplug the CCS-100 from electrical outlet before cleaning.
Cut breaker if outlet is not available.

2. To reduce the risk of burns, fire, electric shock or injury to persons:

- Use the CCS-100 only for its intended use as described in these instructions.
- Do not use attachments not recommended by Boca Flasher.
- Never operate the CCS-100 if it has a damaged cord, cable or plug, if it is not working properly, if it has been dropped or damaged, or dropped into water. If the seal appears to be damaged/broken/torn return the fixture to a service center for examination or repair.
- Keep cables away from heated surfaces
- Never drop or insert any object into any opening.
- Do not operate where aerosol (spray) products are being used or where oxygen is being administered.

3. WARNING:

- Do not attempt to install or use the CCS-100 without reading the installation instructions and safety labels.
- Failure to adhere to these instructions could result in serious injury or property damage.

4. Do not modify, alter or attempt to service the CCS-100:

- Doing so will void the warranty.

5. There are no serviceable parts within the CCS-100:

- Please contact your local representative if issues arise on site during or after installation.

6. Do not use sharp tools near or on the fixture lens:

- Doing so will result in property damage and void the warranty.