

*Contact factory for Extreme Environment Installations

INTRODUCTION:

The Boca Flasher's HPFB is perfect for color washing long runs and large areas. LEDs are spaced 1.00" apart in a two rows to create an even wide wash of light. The housing is anodized aluminum and is weather and abrasion resistant. This light fixture can use any standard DMX 512 controller or can incorporate Boca Flasher's Digital Mainframe controller (Demo Version Only). The Digital Mainframe can run independently, creating many stand-alone color washing and solid color effects, as well as responding to DMX commands for total control of your lighting experience.

ELECTRICAL SPECIFICATIONS:

1. Input Voltage: 90-120VAC or 230-277VAC
2. Total linear ft per 20A breaker: 50 ft.
3. Total linear ft per 15A breaker: 38 ft.
4. Input Current: 320mA RMS per linear ft for RGB, 220mA RMS per linear foot for WWA

Fixtures must be installed by a qualified and licensed electrician in accordance with all national, state and local electrical codes and regulations. If any part of this manual does not meet the necessary codes and regulations, contact the factory for more information before attempting to install.

MAINTENANCE:

Storage:

Store in a dry, well-ventilated area when product is not in use. Keep the electrical cord away from heated surfaces when in use or not in use. If cord shows signs of damage do not use, return product to manufacturer.

Cleaning:

Interior (IP50) Rated Fixtures:

To clean surface use a soft damp cloth.

Exterior (IP67) Rated Fixtures:

To clean surface use a soft cloth with mild soap and water.

WARNING: DO NOT LIFT FIXTURE BY CABLES. Do not attempt to install or use the HPFB fixture without reading the installation instructions and safety labels completely.

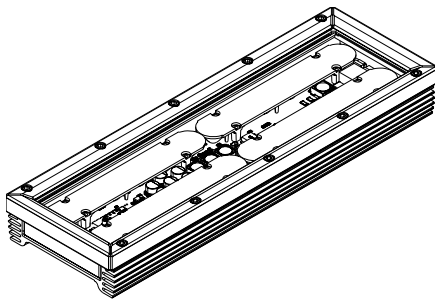
This could result in permanent damage to both the fixture and the cables. Damage resulting from grasping cables and/or putting undue pressure on the cable connections will not be covered under the warranty!

FAILURE TO ADHERE TO THESE INSTRUCTIONS COULD RESULT IN SERIOUS INJURY OR PROPERTY DAMAGE. DO NOT MODIFY, ALTER OR ATTEMPT TO SERVICE THE HPFB DOING SO WILL VOID THE WARRANTY.

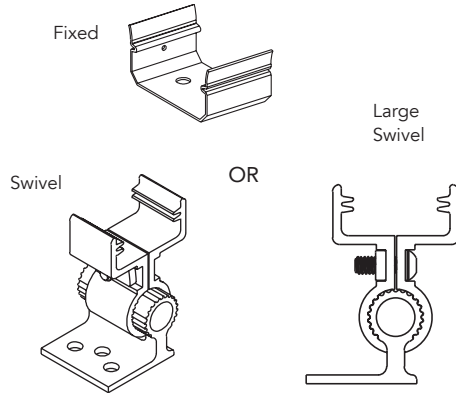
TURN POWER OFF AT CIRCUIT BREAKER BEFORE BEGINNING INSTALLATION!

INCLUDED IN THE PACKAGE:

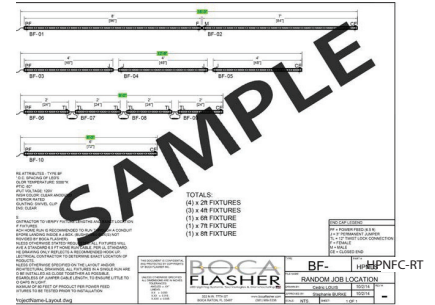
1. HPFB Fixtures
(In lengths shown on job specific drawings)



2. Mounting Brackets
(2 brackets per fixture)

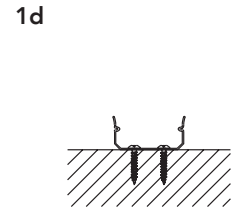
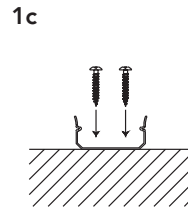
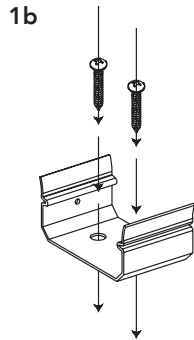
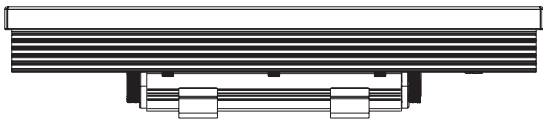


3. Job Specific Drawings



1. INSTALL CLIPS INTO SUBSTRATE

1a Determine layout of fixture or composition of fixtures and locate appropriate clip locations. Pre-drilling holes into substrate is recommended. One foot fixtures only require one bracket. Clip must be a minimum of 4.5" from end-cap to allow clearance of molded cords.



*For vertical installation, please contact the factory for specific mounting instructions.

Screw Information:

1. Screws not provided by Boca Flasher.
2. Boca Flasher recommends wide washer flat head Philips #8 screw (not to exceed .418").
3. Length of screw will vary depending on mounting surface.
4. For outdoor installations, installer should use a screw with weather proof coating.
5. One foot fixtures only require one hinge bracket.

