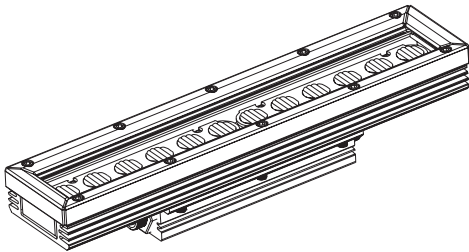


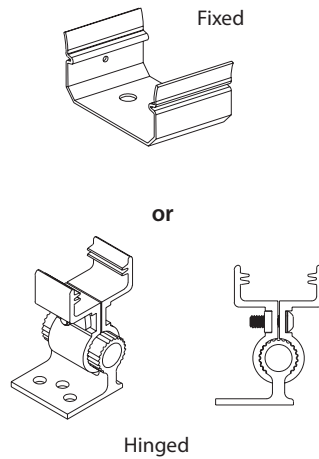
TURN POWER OFF AT CIRCUIT BREAKER BEFORE BEGINNING INSTALLATION!

INCLUDED IN THE PACKAGE:

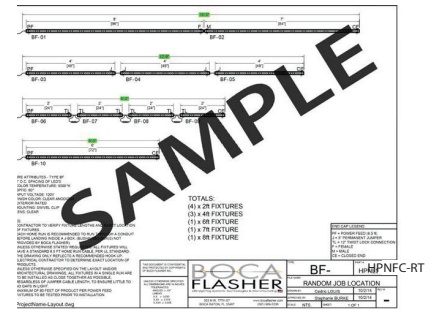
1. HPCCS Fixture (In lengths shown on job specific drawings)



2. Mounting Brackets (2 brackets per fixture)



3. Job Specific Drawings



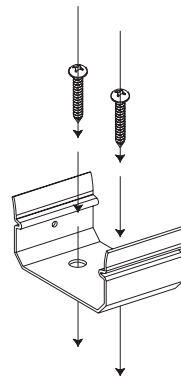
1. INSTALL CLIPS INTO SUBSTRATE

1a Determine layout of fixture or composition of fixtures and locate appropriate clip location.

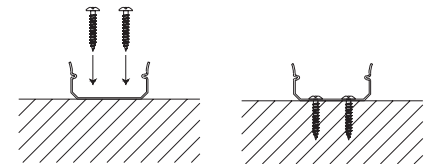
Clip must be a minimum of 4.5" from end-cap to allow clearance of molded cords.



1b



1c

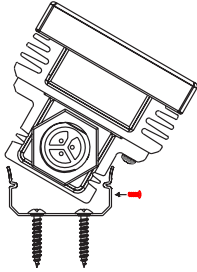


Screw Information:

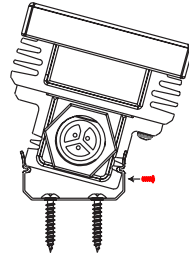
1. Screws not provided by Boca Lighting and Controls.
2. Boca Lighting and Controls recommends wide washer flat head Philips #8 screw (not to exceed .418").
3. Length of screw will vary depending on mounting surface.
4. For outdoor installations, installer should use a screw with weather proof coating.
5. One foot fixtures only require one hinge bracket.

2. INSTALL FIXTURES INTO CLIPS

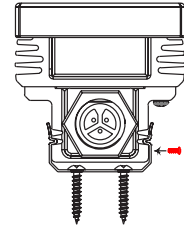
2a Angle fixture into opening, pushing clip wider as you push.



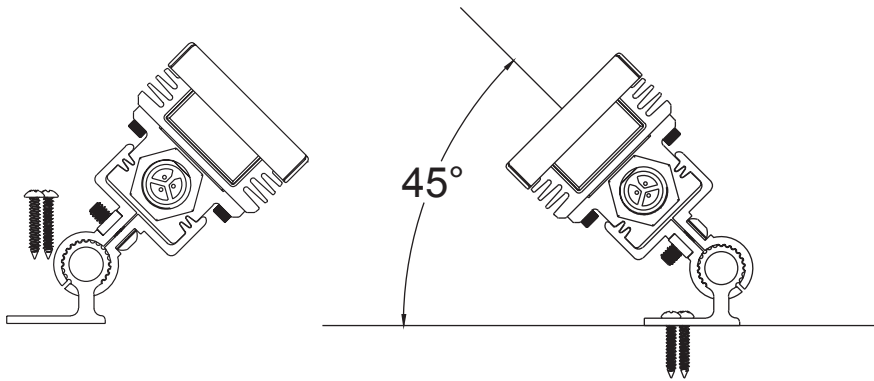
2b Tab on side of clip should go in notch at the top of the fixture.



2c Clip will securely snap into place.



2d

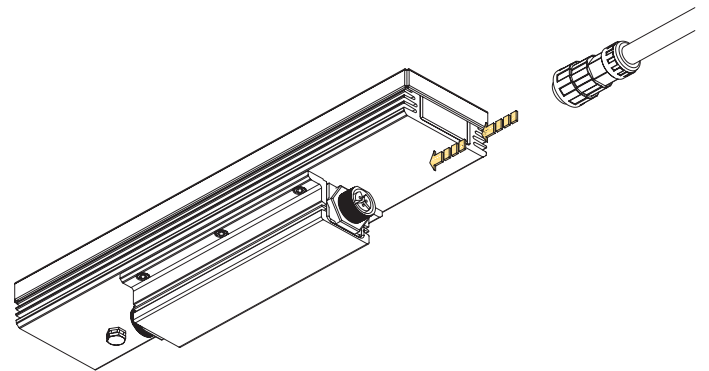
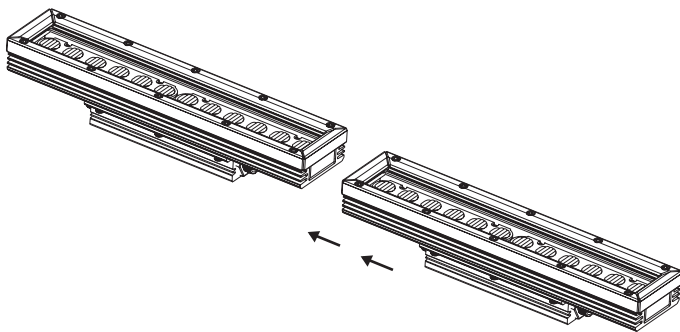


Installing Hinge Clips:

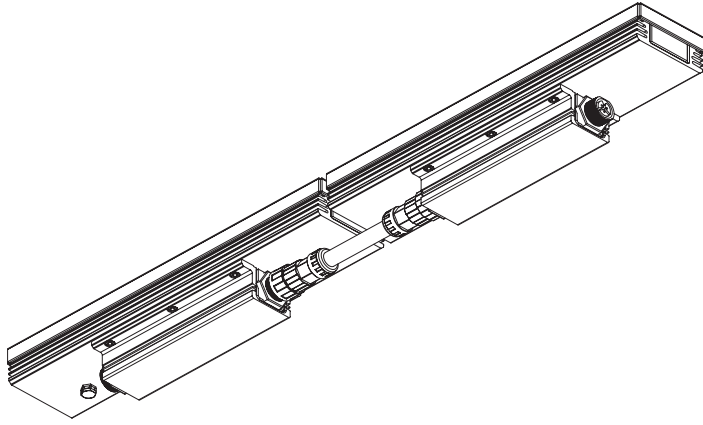
Hinge clips come installed on the fixture. Therefore it is easy to determine where to predrill the holes into the substrate before doing so. Installing is only a matter of drilling in the proper screws, recommended.

3. CONNECT FIXTURES TOGETHER

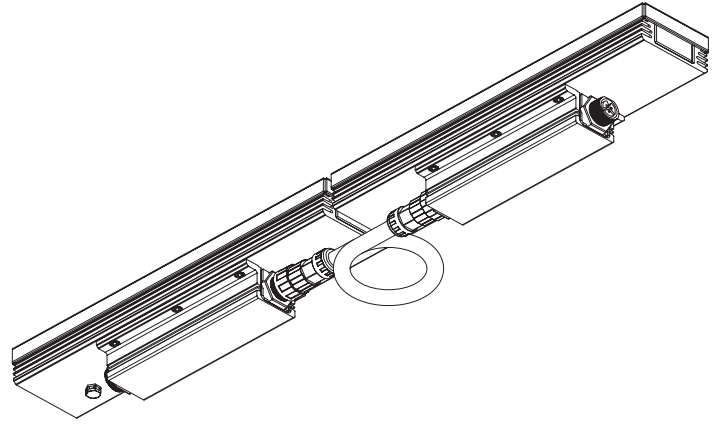
3a



3c



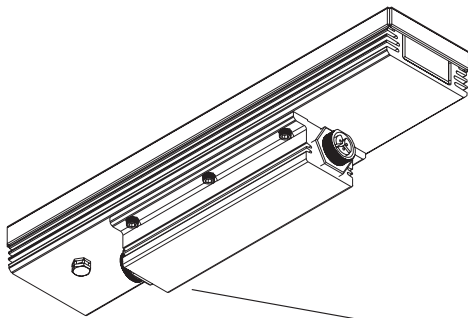
3d



4. CONNECT DMX CABLES TOGETHER

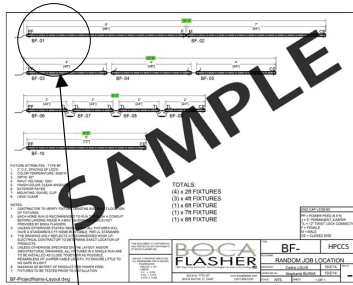
(As shown on job specific drawings)

4a Rotate fixture to see bottom and note each label.



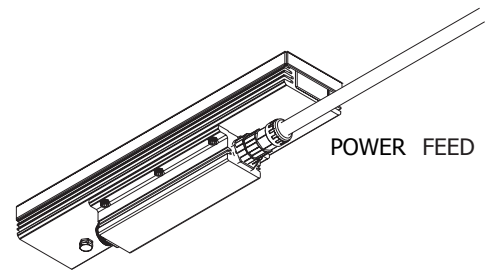
Labels on fixtures correspond with nomenclatures on drawings.

4b Cross-reference with Job Specific Drawing.



The HPCCS does not daisy-chain by power.

4d Push together until you hear a "Click."

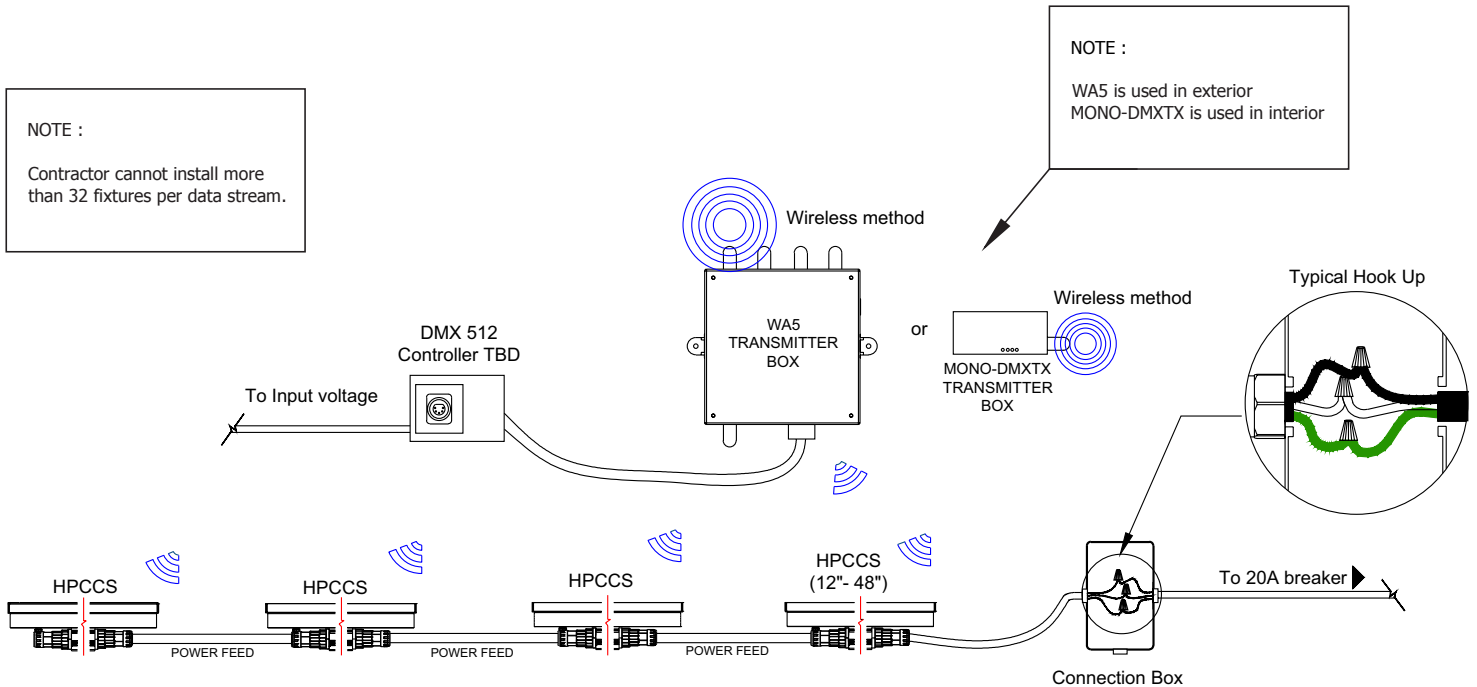


NOTE: Outdoor version will screw together, not click.

NOTE: Contractor cannot install more than 32 fixtures per data stream.

5. CONNECT FIXTURES TO POWER AND CONTROLS

Single Run Installation
For Exterior Use Only



1. DANGER:

To reduce the risk electric shock, always unplug the HPCCS from electrical outlet before cleaning. Cut breaker if outlet is not available.

2. To reduce the risk of burns, fire, electric shock or injury to persons:

- Use the HPCCS only for its intended use as described in these instructions.
- Do not use attachments not recommended by Boca Lighting and Controls.
- Never operate the HPCCS if it has a damaged cord, cable or plug, if it is not working properly, if it has been dropped or damaged, or dropped into water. If the seal appears to be damaged/broken/torn return the fixture to a service center for examination or repair.
- Keep cables away from heated surfaces
- Never drop or insert any object into any opening.
- Do not operate where aerosol (spray) products are being used or where oxygen is being administered.

3. WARNING:

- Do not attempt to install or use the HPCCS without reading the installation instructions and safety labels.
- Failure to adhere to these instructions could result in serious injury or property damage.

4. Do not modify, alter or attempt to service the HPCCS:

- Doing so will void the warranty.

5. There are no serviceable parts within the HPCCS:

- Please contact your local representative if issues arise on site during or after installation.

6. Do not use sharp tools near or on the fixture lens:

- Doing so will result in property damage and void the warranty.

1. DANGER:

To reduce the risk electric shock, always unplug the HPCCS from electrical outlet before cleaning.
Cut breaker if outlet is not available.

2. To reduce the risk of burns, fire, electric shock or injury to persons:

- Use the HPCCS only for its intended use as described in these instructions.
- Do not use attachments not recommended by Boca Lighting and Controls.
- Never operate the HPCCS if it has a damaged cord, cable or plug, if it is not working properly, if it has been dropped or damaged, or dropped into water. If the seal appears to be damaged/broken/torn return the fixture to a service center for examination or repair.
- Keep cables away from heated surfaces
- Never drop or insert any object into any opening.
- Do not operate where aerosol (spray) products are being used or where oxygen is being administered.

3. WARNING:

- Do not attempt to install or use the HPCCS without reading the installation instructions and safety labels.
- Failure to adhere to these instructions could result in serious injury or property damage.

4. Do not modify, alter or attempt to service the HPCCS:

- Doing so will void the warranty.

5. There are no serviceable parts within the HPCCS:

- Please contact your local representative if issues arise on site during or after installation.

6. Do not use sharp tools near or on the fixture lens:

- Doing so will result in property damage and void the warranty.