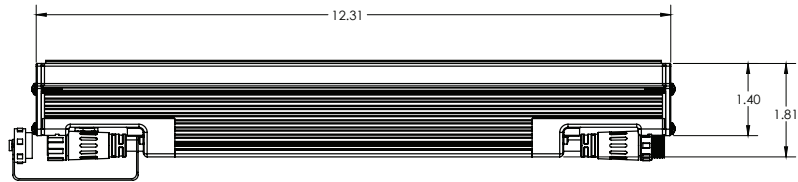
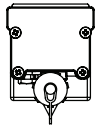


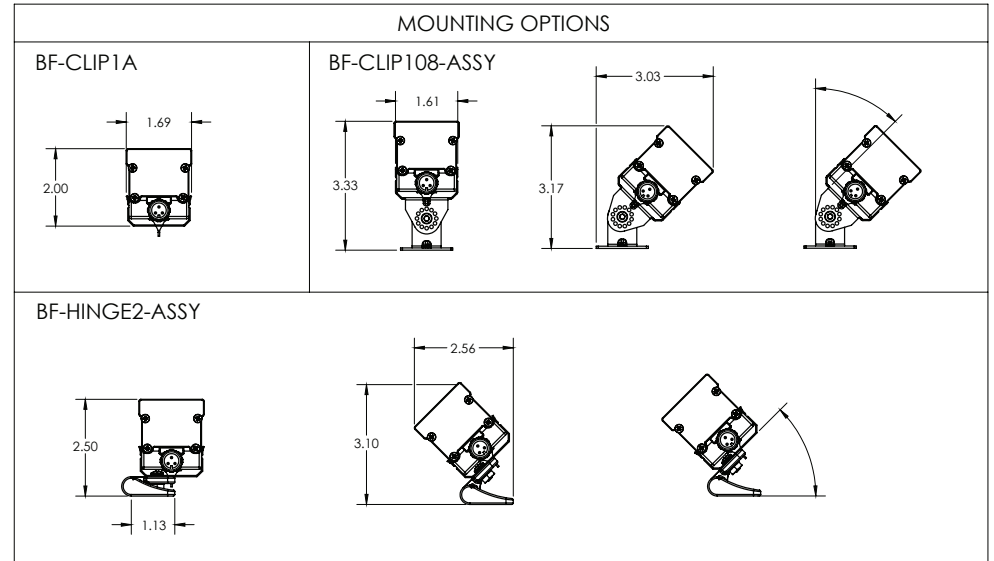
△ PLAN VIEW




△ ELEVATION VIEW



△ ENDCAP



TECHNICAL DATA	
Parameter	Data
Wattage per Linear Ft.	5.7W @ 120V, 5.2W @ 277V
Input Voltage	90-120VAC, 230-277VAC
Input Current per Linear Ft.	52.3mA @ 120V, 22.8mA @ 277V
Control	Leading edge/ Trailing-edge line dimmer
Power Cable Length	UL Standard 18AWG, 6.5ft.
LED Spacing	1.5
Fixture Length	12"-96" in 6" increment
Fixture Width	1.68"
Total Height (Not Including Clip)	1.75"
Mounting	Adjustable Swivel Clip
Available Optics	120°
Finish Options	White or Black high temperature ABS Plastic
LED Color Options	2K, 24K, 27K, 3K, 35K, 4K, 5K, 65K
Color Rendering Index	90+ CRI
Ratings	Dry
Total linear ft per 20A breaker	306ft. @ 120V, 700ft. @ 277V
Total linear ft per 15A breaker	229ft. @ 120V, 525ft. @ 277V
Total linear ft per power feed	76ft. @ 120V, 175ft. @ 277V
Transformer	N/A

 <p>LED Lighting Systems, Technologies, & Manufacturing</p>		PRODUCTS NAME: HPNFC-12IN-5W	
		FILE NAME: TECHNICAL SHEET	PART #: HPNFC
508 South Military Trail Deerfield Beach FL, 33442 www.boca.lighting (561)989-5338		DRAWN BY: HYORIM LEE	DATE: 04032025
		DESIGN BY: LUIS ROSADO	
THIS DOCUMENT IS CONFIDENTIAL AND PROTECTED BY COPYRIGHTS OF BOCA LIGHTING AND CONTROLS		APPROVED BY: DAVE URBAN	
SCALE: NTS	SHEET: 1 OF 1	REV: 04032025	