

Max Temp: 55°C
Min. Temp: -40°C

INTRODUCTION:

The Boca Flasher's HPFB is perfect for color washing long runs and large areas. LEDs are spaced 1.00" apart in a two rows to create an even wide wash of light. The housing is anodized aluminum and is weather and abrasion resistant. This light fixture can use any standard DMX 512 controller or can incorporate Boca Flasher's Digital Mainframe controller (Demo Version Only). The Digital Mainframe can run independently, creating many stand-alone color washing and solid color effects, as well as responding to DMX commands for total control of your lighting experience.

ELECTRICAL SPECIFICATIONS:

1. Input Voltage: 90-120VAC or 230-277VAC
2. Total linear ft per 20A breaker: 50 ft.
3. Total linear ft per 15A breaker: 38 ft.
4. Input Current: 320mA RMS per linear ft for RGB, 220mA RMS per linear foot for WWA

Fixtures must be installed by a qualified and licensed electrician in accordance with all national, state and local electrical codes and regulations. If any part of this manual does not meet the necessary codes and regulations, contact the factory for more information before attempting to install.

MAINTENANCE:

Storage:

Store in a dry, well-ventilated area when product is not in use. Keep the electrical cord away from heated surfaces when in use or not in use. If cord shows signs of damage do not use, return product to manufacturer.

Cleaning:

Dry and Damp (IP65) Rated Fixtures:
To clean surface use a soft damp cloth.

Wet (IP68) Rated Fixtures:
To clean surface use a soft cloth with mild soap and water.

WARNING: DO NOT LIFT FIXTURE BY CABLES. Do not attempt to install or use the HPFB fixture without reading the installation instructions and safety labels completely.

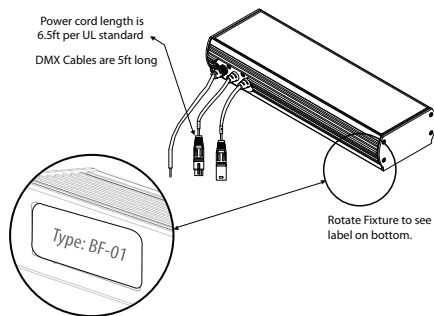
This could result in permanent damage to both the fixture and the cables. Damage resulting from grasping cables and/or putting undue pressure on the cable connections will not be covered under the warranty!

FAILURE TO ADHERE TO THESE INSTRUCTIONS COULD RESULT IN SERIOUS INJURY OR PROPERTY DAMAGE. DO NOT MODIFY, ALTER OR ATTEMPT TO SERVICE THE HPFB DOING SO WILL VOID THE WARRANTY.

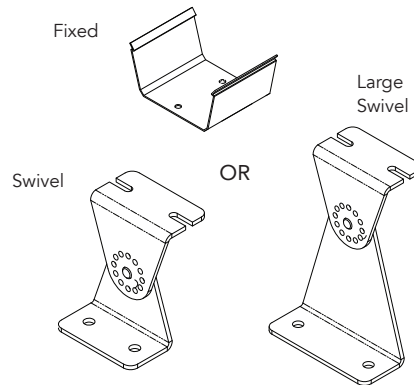
TURN POWER OFF AT CIRCUIT BREAKER BEFORE BEGINNING INSTALLATION!

INCLUDED IN THE PACKAGE:

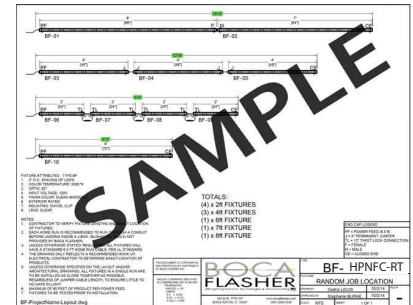
1. HPFB Fixtures
(In lengths shown on job specific drawings)



2. Mounting Brackets
(2 brackets per fixture)

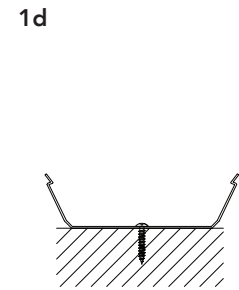
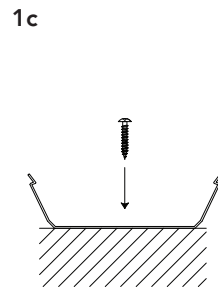
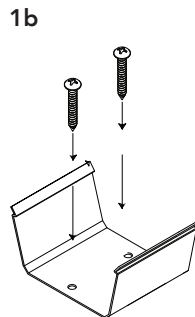
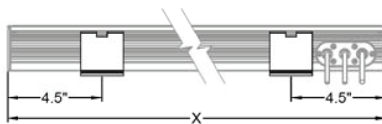


3. Job Specific Drawings



1. INSTALL CLIPS INTO SUBSTRATE

1a Determine layout of fixture or composition of fixtures and locate appropriate clip locations. Pre-drilling holes into substrate is recommended. One foot fixtures only require one bracket. Clip must be a minimum of 4.5" from end-cap to allow clearance of molded cords.



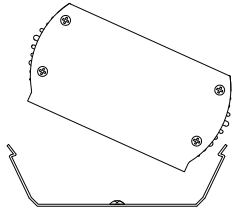
*For vertical installation, please contact the factory for specific mounting instructions.

Screw Information:

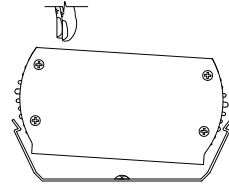
1. Screws not provided by Boca Flasher.
2. Boca Flasher recommends wide washer flat head Philips #8 screw (not to exceed .418").
3. Length of screw will vary depending on mounting surface.
4. For outdoor installations, installer should use a screw with weather proof coating.
5. One foot fixtures only require one hinge bracket.

2. INSTALL FIXTURE INTO FIXED CLIPS

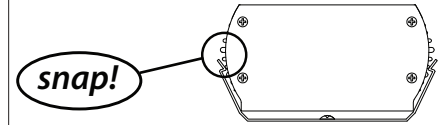
2a Angle fixture into opening, pushing clip wider as you push.



2b Tab on side of clip should go in notch at the top of the fixture.

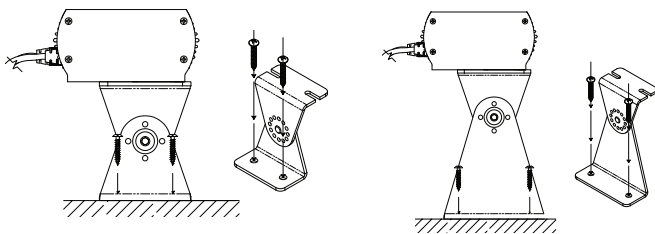


2c Clip will securely snap into place.

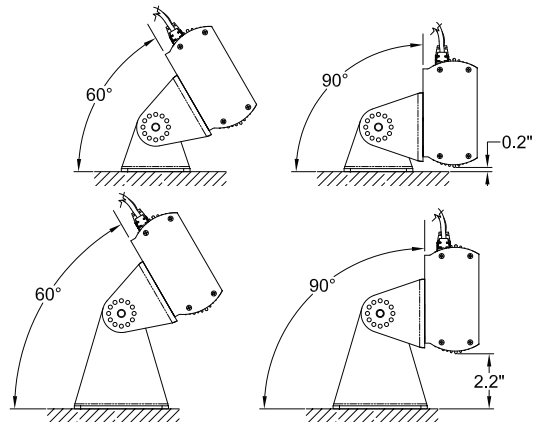


3. INSTALL SWIVEL CLIP STANDARD & LARGE

3a Use four screws (not provided by Boca Flasher) to secure the brackets to the substrate.



3b Loosen center hinge pin and adjust angle of fixture to focus required. Tighten pin to hold the focus.

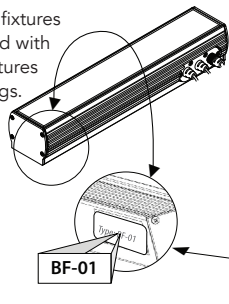


* HPFB Fixtures will ship with swivel mounting brackets attached to fixture. (Two swivels per fixture) Clips are installed opposite side of fixture cables to allow maximum swivel ability.

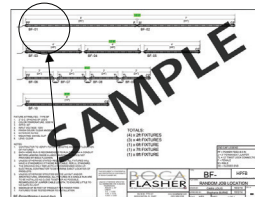
4. CONNECT DMX CABLES TOGETHER AS SHOWN ON JOB SPECIFIC DRAWINGS

4a Rotate fixture to see bottom and note each label.

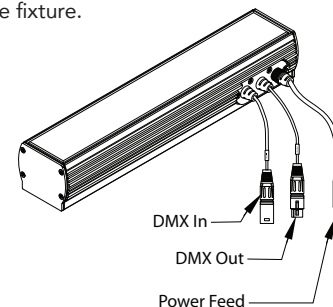
Labels on fixtures correspond with nomenclatures on drawings.



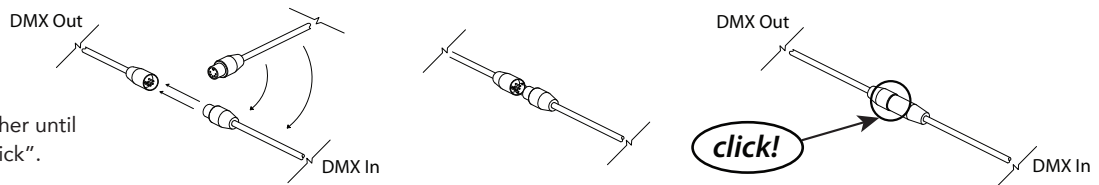
4a Cross-reference with Job Specific Drawing.



4b Connect DMX IN on a fixture with DMX out separate fixture.



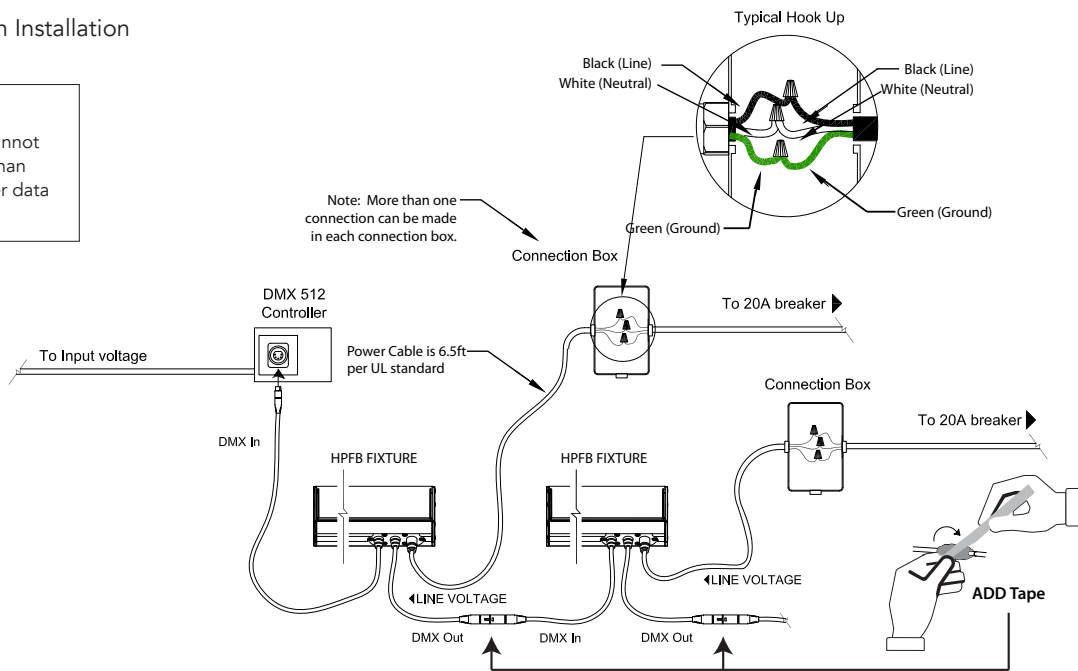
4c Push together until you hear a "Click".



5a. CONNECT FIXTURES TO POWER AND CONTROLS

For Single Run Installation

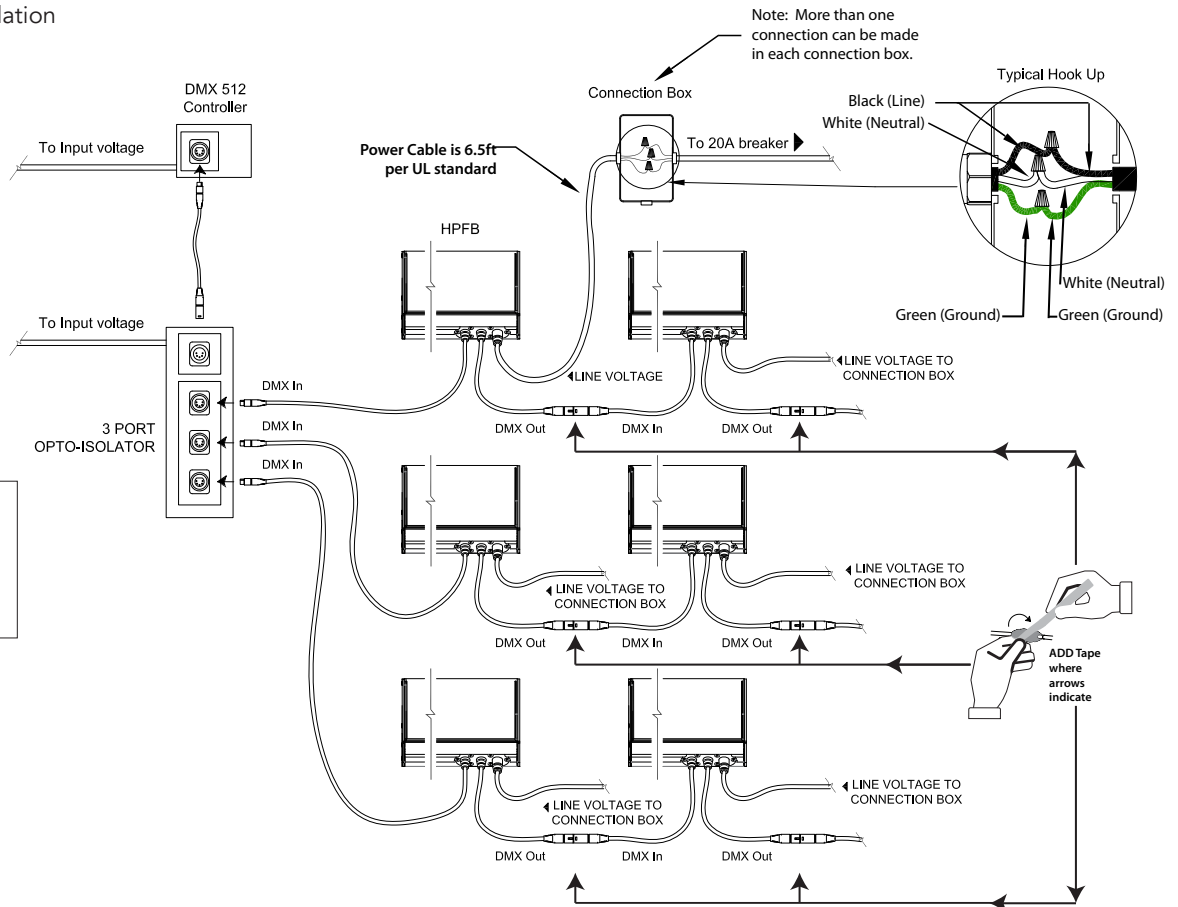
NOTE:
Contractor cannot install more than 32 fixtures per data stream.



5b. CONNECT FIXTURES TO POWER AND CONTROLS

For Multi Run Installation

NOTE:
Contractor cannot install more than 32 fixtures per data stream.



1. DANGER:

To reduce the risk electric shock, always unplug the HPFB from electrical outlet before cleaning.
Cut breaker if outlet is not available.

2. To reduce the risk of burns, fire, electric shock or injury to persons:

- Use the HPFB only for its intended use as described in these instructions.
- Do not use attachments not recommended by Boca Flasher.
- Never operate the HPFB if it has a damaged cord, cable or plug, if it is not working properly, if it has been dropped or damaged, or dropped into water. If the seal appears to be damaged/broken/torn return the fixture to a service center for examination or repair.
- Keep cables away from heated surfaces
- Never drop or insert any object into any opening.
- Do not operate where aerosol (spray) products are being used or where oxygen is being administered.

3. WARNING:

- Do not attempt to install or use the HPFB without reading the installation instructions and safety labels.
- Failure to adhere to these instructions could result in serious injury or property damage.

4. Do not modify, alter or attempt to service the HPFB:

- Doing so will void the warranty.

5. There are no serviceable parts within the HPFB:

- Please contact your local representative if issues arise on site during or after installation.

6. Do not use sharp tools near or on the fixture lens:

- Doing so will result in property damage and void the warranty.