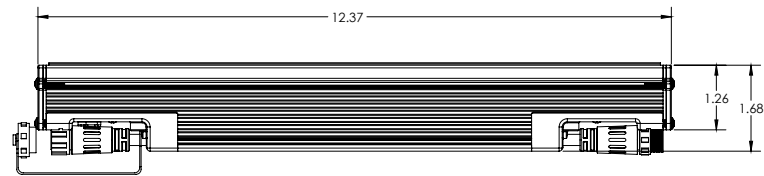
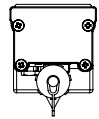


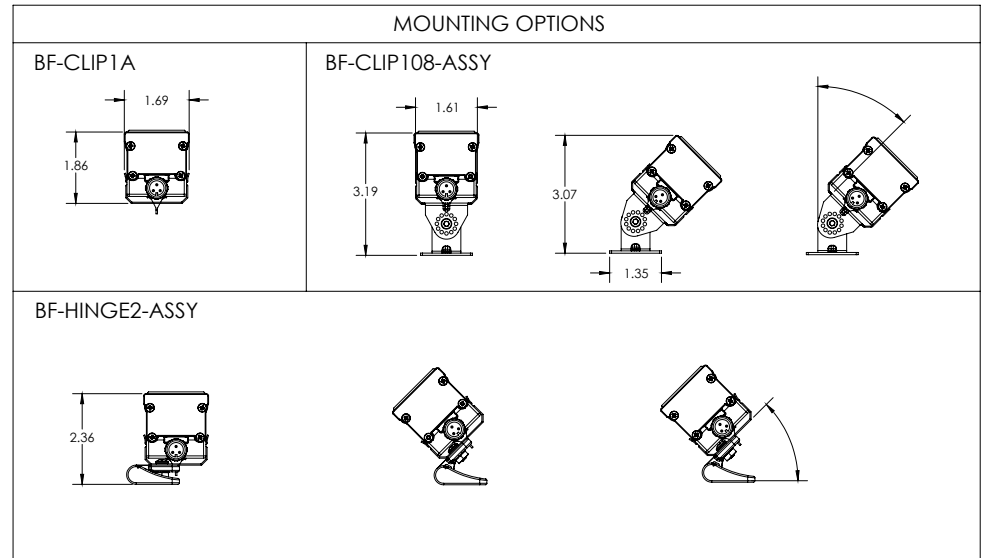
1 PLAN VIEW




2 ELEVATION VIEW



3 ENDCAP



TECHNICAL DATA	
Power	RGB 08W/ft, RGBW 12W/ft
Input Voltage	120VAC
Input Current per Linear Ft	66mA/ft RGB, 100mA/ft RGBW
Control	NanoRouter WITH STANDARD DMX512
Power Cable Length	UL Standard 10ft
LED Spacing	N/A
Fixture Length	12" - 96" IN 6" INCREMENTS
Fixture Width	1.68"
Total Height (not including clips)	1.75"
Mounting	Fixed, Swivel or ARC
Available Optics	120°
Finish Options	Clear Anodized Aluminum or Black
LED Color Options	TRIPLE DIODE RGB OR TRIPLE DIODE RGB WITH WHITE OPTION
Color Rendering Index	95 CRI (WM)
Ratings	Dry, IP65, IP68
Total Linear ft per 20A breaker	'210ft RGB, 140ft RGBW @ 120V Primary
Total Linear ft per 15A breaker	'150ft RGB, 100ft RGBW @ 120V Primary
Total Linear ft per Power Feed	55ft RGB, 32ft RGBW
Transformer	N/A

 LIGHTING CONTROLS LED Lighting Systems, Technologies, & Manufacturing		PRODUCT NAME: TRILIGHT-HV		
		FILE NAME: TECHNICAL SHEET	PART #: TRILIGHT-HV	
508 South Military Trail Deerfield Beach FL, 33442		www.BocaFlasher.com (561) 989-5338	DRAWN BY: HYERI KANG	DATE: 03272020
THIS DOCUMENT IS CONFIDENTIAL AND PROTECTED BY COPYRIGHTS OF BOCA FLASHER INC.		DESIGN BY: LUIS ROSADO		
		APPROVED BY: M. PINDER	SCALE:	SHEET: 1 OF 1