



Max Temp: 55°C
Min. Temp: -40°C

INTRODUCTION:

The Boca TASK is a line voltage fixture designed for use as a task light in both commercial and residential applications. The housing is anodized aluminum with a durable finish making it abrasion resistant. It is UL Listed for dry locations. See layout drawings for model provided.

ELECTRICAL SPECIFICATIONS:

1. Input Voltage: 90-120 VDC
2. Total linear ft per 20A breaker: 7.5 Watts plft
3. Total linear ft per 15A breaker: 7.5 Watts plft
4. Input Current: Model Dependent

MAINTENANCE:

Storage:

Store in a dry, well-ventilated area when product is not in use. Keep the electrical cord away from heated surfaces when in use or not in use. If cord shows signs of damage do not use, return product to manufacturer.

Cleaning:

Interior (IP50) Rated Fixtures:
To clean surface use a soft damp cloth.

Fixtures must be installed by a qualified and licensed electrician in accordance with all national, state and local electrical codes and regulations. If any part of this manual does not meet the necessary codes and regulations, contact the factory for more information before attempting to install.

WARNING: DO NOT LIFT FIXTURE BY CABLES. Do not attempt to install or use the TASK fixture without reading the installation instructions and safety labels completely.

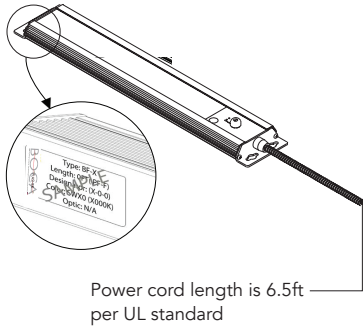
This could result in permanent damage to both the fixture and the cables. Damage resulting from grasping cables and/or putting undue pressure on the cable connections will not be covered under the warranty!

FAILURE TO ADHERE TO THESE INSTRUCTIONS COULD RESULT IN SERIOUS INJURY OR PROPERTY DAMAGE. DO NOT MODIFY, ALTER OR ATTEMPT TO SERVICE THE TASK DOING SO WILL VOID THE WARRANTY.

TURN POWER OFF AT CIRCUIT BREAKER BEFORE BEGINNING INSTALLATION!

INCLUDED IN THE PACKAGE:

1. TASK Fixtures, (In lengths shown on job specific drawings)



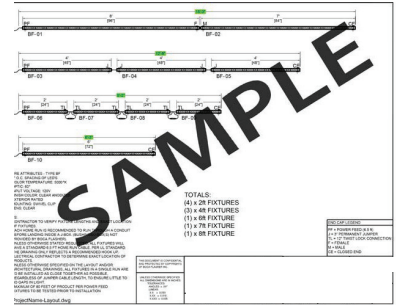
2. Mounting Brackets (2 brackets per fixture)

Magnetic

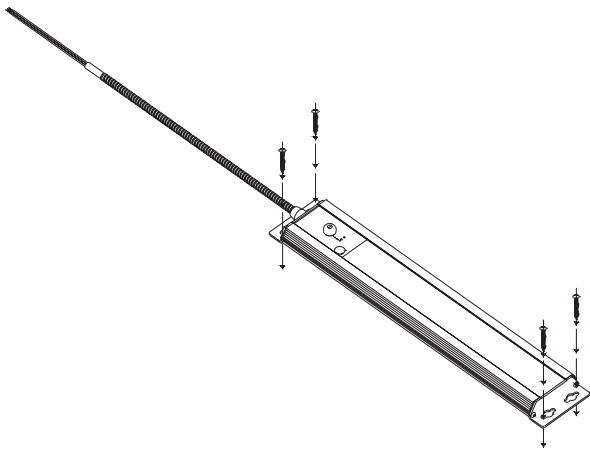
OR

*Note: L-shaped bracket will be installed on fixture when shipped if this is the mounting method.

3. Job Specific Drawings



1. INSTALL FIXTURES INTO SUBSTRATE L-SHAPED BRACKET

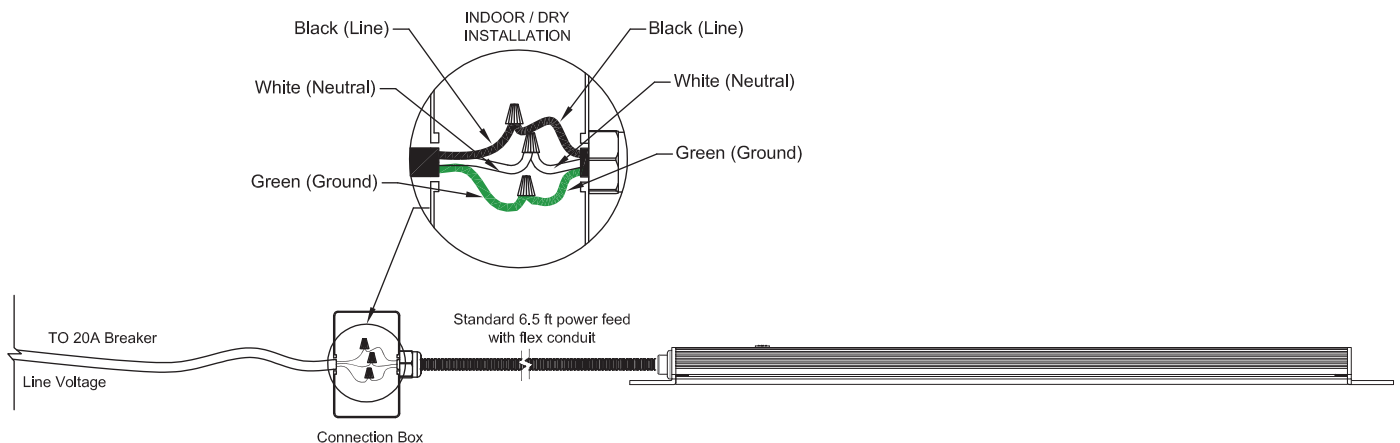


Screw Information:

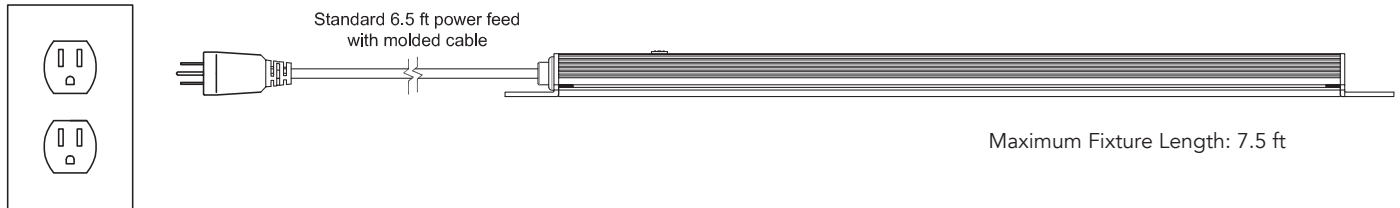
1. Do not let fixture hang by screw on one side. Bracket will bend and installation will not look good.
2. Screws are not provided by Boca Flasher, Inc.
3. Boca Flasher recommends wide washer flat head Philips #8 screw.
4. Length of screw will vary depending on mounting surface.

Note: For fixtures over 4 ft long, double sided tape will be provided into the middle of the fixture. Remove backing and press firmly for 30 seconds. Fixture will hold to surface so it can be screwed in with out harming the brackets.

2. CONNECT FIXTURE TO POWER HARD WIRED



3. CONNECT FIXTURE TO POWER CORD AND PLUG IN



1. DANGER:

To reduce the risk electric shock, always unplug the TASK from electrical outlet before cleaning. Cut breaker if outlet is not available.

2. To reduce the risk of burns, fire, electric shock or injury to persons:

- Use the TASK only for its intended use as described in these instructions.
- Do not use attachments not recommended by Boca Lighting and Controls.
- Never operate the TASK if it has a damaged cord, cable or plug, if it is not working properly, if it has been dropped or damaged, or dropped into water. If the seal appears to be damaged/broken/torn return the fixture to a service center for examination or repair.
- Keep cables away from heated surfaces
- Never drop or insert any object into any opening.
- Do not operate where aerosol (spray) products are being used or where oxygen is being administered.

3. WARNING:

- Do not attempt to install or use the TASK without reading the installation instructions and safety labels.
- Failure to adhere to these instructions could result in serious injury or property damage.

4. Do not modify, alter or attempt to service the TASK:

- Doing so will void the warranty.

5. There are no serviceable parts within the TASK:

- Please contact your local representative if issues arise on site during or after installation.

6. Do not use sharp tools near or on the fixture lens:

- Doing so will result in property damage and void the warranty.