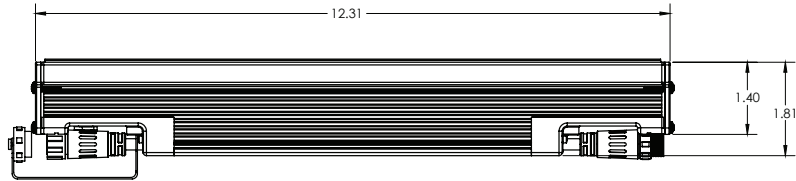
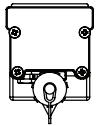


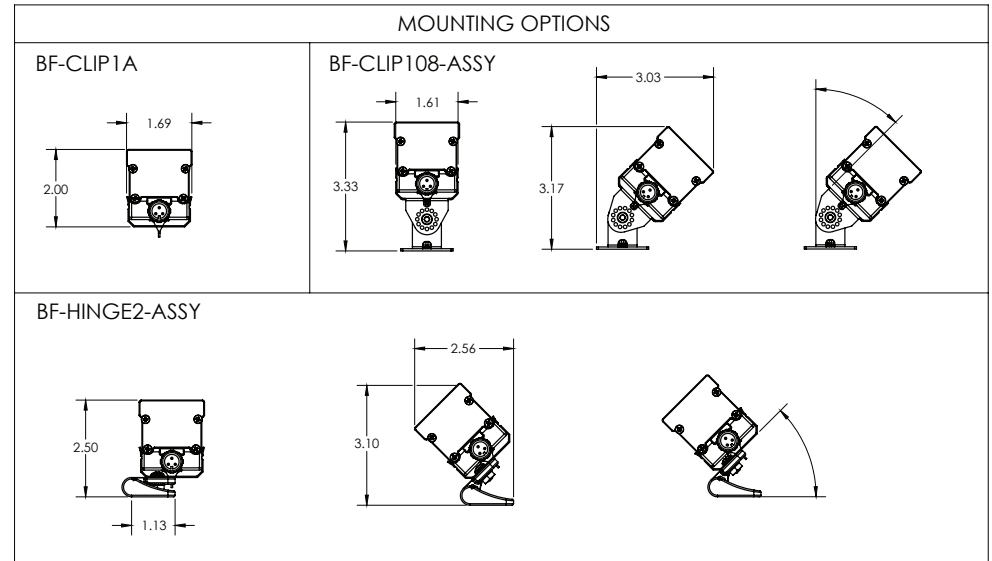
PLAN VIEW




ELEVATION VIEW



ENDCAP



TECHNICAL DATA	
Parameter	Data
Wattage per Linear Ft.	9.7W @ 120V, 9.6W @ 277V
Input Voltage	90-120VAC, 230-277VAC
Input Current per Linear Ft.	87.3mA @ 120V, 49.1mA @ 277V
Control	Leading edge/ Trailing-edge line dimmer
Power Cable Length	UL Standard 18AWG, 6.5ft.
LED Spacing	1.5
Fixture Length	12"-96" in 6" increment
Fixture Width	1.68"
Total Height (Not Including Clip)	1.75"
Mounting	Adjustable Swivel Clip
Available Optics	120°
Finish Options	White or Black high temperature ABS Plastic
LED Color Options	2K, 24K, 27K, 3K, 35K, 4K, 5K, 65K
Color Rendering Index	90+ CRI
Ratings	Dry
Total linear ft per 20A breaker	183ft. @ 120V, 326ft. @ 277V
Total linear ft per 15A breaker	137ft. @ 120V, 244ft. @ 277V
Total linear ft per power feed	45ft. @ 120V, 81ft. @ 277V
Transformer	N/A

 <p>LED Lighting Systems, Technologies, & Manufacturing</p>		PRODUCTS NAME: HPNFC-12IN-10W		
		FILE NAME: TECHNICAL SHEET	PART #: HPNFC	
508 South Military Trail Deerfield Beach FL, 33442		www.boca.lighting.com (561)989-5338	DRAWN BY: HYORIM LEE	DATE: 04032025
THIS DOCUMENT IS CONFIDENTIAL AND PROTECTED BY COPYRIGHTS OF BOCA LIGHTING AND CONTROLS		DESIGN BY: LUIS ROSADO	APPROVED BY: DAVE URBAN	
		SCALE: NTS	SHEET: 1 OF 1	REV: 04032025