



# HPNLS-MIX

Small Profile Color Changing LED Fixture

Customer: \_\_\_\_\_ Date: \_\_\_\_\_

Project: \_\_\_\_\_



<b>Wattage</b>	14W per linear ft*
<b>Input Voltage</b>	90-120V, 230-277V
<b>Control</b>	Standard DMX 512
<b>LED Spacing</b>	1.0" on Center
<b>Length</b>	12", 18", 24", 36", 48", 96"
<b>Total Height</b>	1.68"
<b>Total Width</b>	1.80" (not including clip)
<b>Color Options</b>	Alternating RGB, RGBW, Triple Diode RGB, White Mixing
<b>Mounting</b>	Fixed, Hinge, Vandal, Arc 3 or Arc 6
<b>Available Optics</b>	10°, 30°, 60°, 10°x30°, 10°x60°, 30°x60°, 120°
<b>Rating</b>	IP50, IP67, IP69K
<b>CRI</b>	90+ for White Mix Only
<b>Power Cable</b>	UL Standard 10 ft
<b>Environmental</b>	Operating temperature: -40°F-140°F Ambient(-40°C-60°C)** Storage temperature: -40°F-140°F Ambient indoor fixtures operation limited to =<50% relative humidity

\*Custom wattage available upon request. Title 24 compliant fixture not to exceed 18 watts / 4ft fixture.

\*\* Military spec available under special request-lead times may be impacted.

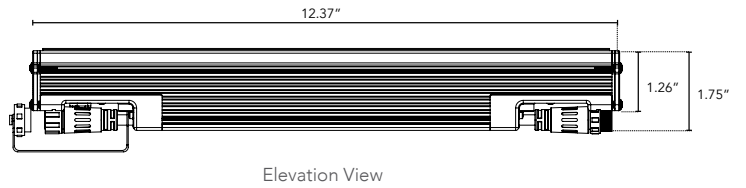
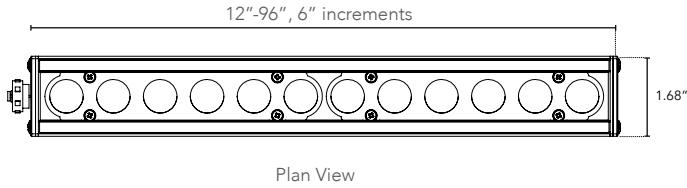


## PRODUCT SPECIFICATIONS:

COLOR OPTION	OPTIC	VOLTAGE	FINISH	LOCATION	MOUNTING	LENS	WHITE MIXING OPTIONS
<b>HPNLS-MIX</b>							
<b>RGB</b>	<b>10°</b>	<b>120V</b>	<b>W</b> White	<b>I</b> Interior-IP50	<b>F</b> Fixed	<b>C</b> Clear	If specifying WM indicate white options here: (Up to 3 different options can be specified) <b>2700K</b> <b>3000K</b> <b>3500K</b> <b>4000K</b> <b>5000K</b> <b>Amber</b>
<b>RGBW</b>	<b>30°</b>	<b>277V</b>	<b>B</b> Black	<b>E</b> Exterior-IP67	<b>H</b> Hinge	<b>D</b> Diffused	
<b>TRGB</b> Triple Diode (120° only)	<b>60°</b>		<b>G</b> Gray	<b>K</b> IP69K-Extreme Environment	<b>3Arc</b> 3" Arc Swivel	<b>SI</b> Satin Ice (Interior Use Only)	
<b>WM</b> White Color Mixing	<b>10°x30°</b>				<b>6Arc</b> 6" Arc Swivel	<b>OP</b> Opal White	
<b>WM</b> White Color Mixing	<b>30°x60°</b>				<b>V</b> Vandal Resistant		
<b>WM</b> White Color Mixing	<b>120°</b>						
<b>WM</b> White Color Mixing Options							
<b>OPTIONS</b>							
<b>SB</b> Square Baffle	<b>HL</b> Hexcell Louver						
<b>ASYM</b> Asymmetric Baffle	(Cannot be used with Satin Ice White or 120° optic)						
<b>SKB</b> Kicker Baffle							

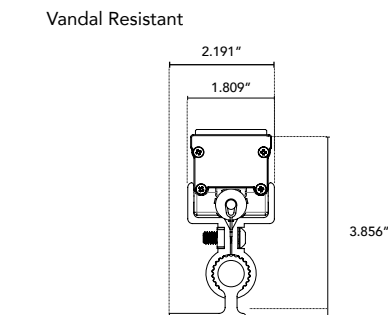
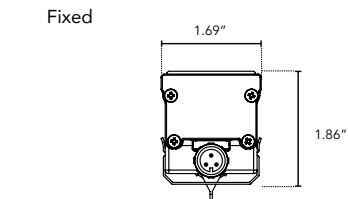
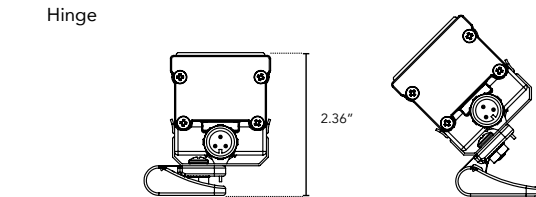
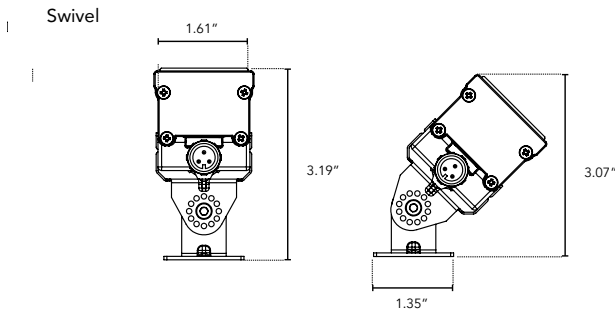
**DIMENSIONS:**

For vertical installation and installations above 4' please contact the factory for specific mounting instructions.



**MOUNTING INFORMATION:**

Note: Fixtures 1-2ft, Place clips 3" from edge as shown. Fixtures more than 2ft., Place clips 3.5" from edges as shown.



**LIGHTSOURCE REPORT**

**WHITE W/CLEAR GLASS LENS**

- CIE Colorimetric Parameters
- CCT: Tc = 3088K
- Photometric Parameters
- Luminous Flux: 634.40 lm
- Efficiency: 59.46 lm/W

**WHITE W/CLEAR GLASS LENS**

- RGBW w/Clear Glass Lens
- CCT: Tc = 4392K
- Photometric Parameters
- Luminous Flux: 922.16 lm
- Efficiency: 34.65 lm/W