



LUMELINE-RT

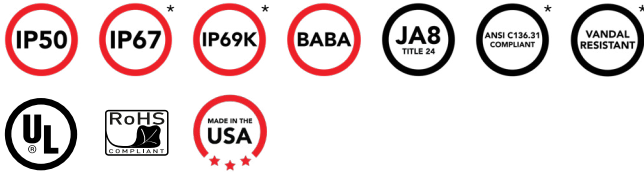
Direct View Linear LED Strip Fixture



Customer: _____ Date: _____

Project: _____

Wattage	8W per linear ft.
Input Voltage	24VAC
Control	Standard Magnetic Low Voltage Dimming, Compatible with Forward, Reverse Phase, 0-10V, DMX
LED Spacing	0.67" on Center
Length	12"-96", 6" increments - 12" maximum. Allow 1/4" for each end cap and 2" for power feed cable.
Total Height	1.24" (not including clip), Satin Ice Lens adds 1/8"
Total Width	1.68"
Color Options	2000K, 2400K, 2700K, 3000K, 3500K, 4000K, 5000K
Mounting	Fixed, Swivel, 3" Arc or 6" Arc
Available Optics	120°
Rating	IP50
CRI	90+ CRI
Power Cable	UL Standard 10 ft.
Finish	Black, White, Grey
Material	Anodized Aluminum
Custom	Contact Factory
Dimming	Patented CleanDim® Technology ensures even dimming from 0-100%.
Max Run	Voltage Dependent (Class 2 Limited)
Environmental	Operating temperature: -40°F-140°F Ambient(-40°C-60°C)** Storage temperature: -40°F-140°F Ambient indoor fixtures operation limited to =<50% relative humidity



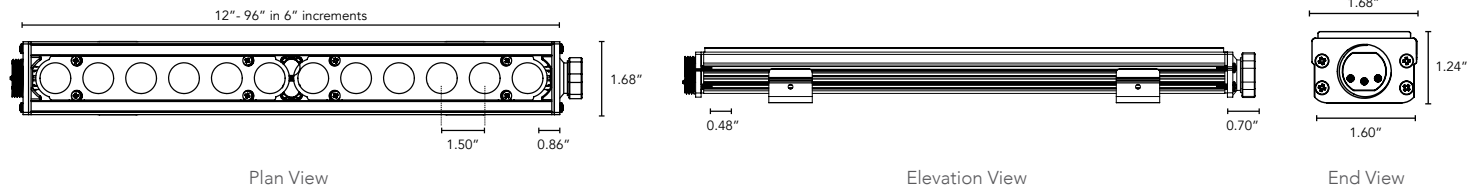
*Contact Factory for Exterior Installations

** Military spec available under special request-lead times may be impacted.

PRODUCT SPECIFICATIONS:

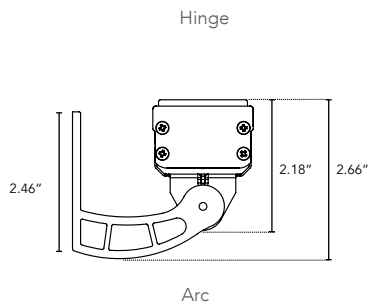
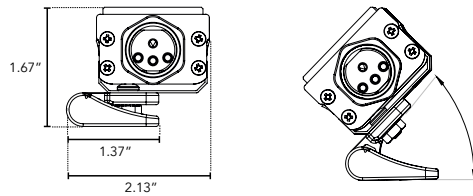
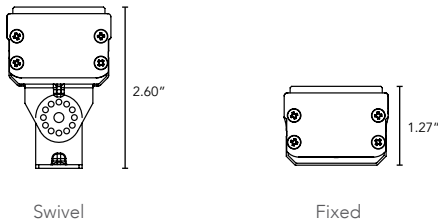
	WATTAGE	COLOR OPTION	OPTIC	FIXTURE VOLTAGE	FINISH	TRANSFORMER PRIMARY VOLTAGE	LOCATION	MOUNTING	LENS
LUMELINE-RT	8W		120°	24VAC			I		
		2000K 2400K 2700K 3000K 3500K 4000K 5000K			W White B Black G Gray	120V 230V 227V	I Interior-IP50	F Fixed S Swivel 3Arc 3" Arc Swivel 6Arc 6" Arc Swivel	C Clear D Diffused SI Satin Ice (Interior Use Only)
						Fixture is 24VAC			

DIMENSIONS:



MOUNTING INFORMATION:

For vertical installation please contact the factory for specific mounting instructions.



LENS OPTIONS:

DIFFUSED GLASS

- 87% transmission
- Lens is 1/8" (.09) thick, adds 1/16" to overall height of fixture
- Additional charges apply

Satin Ice White

- Best for direct view use
- 42% transmission
- Lens is 1/4" (.25) thick, adds 1/8" to overall height of fixture