



NANO X

Micro Profile Exterior LED Task and Cove Fixture



Customer:	_____	Date:	_____
Project:	_____		
Wattage	3W or 6W per linear ft.		
Input Voltage	90-120V, 230-227V		
Control	Forward/Reverse Line Dimmer 0-10V, DALI, or DMX*		
Power Cable	UL Standard 10 ft.		
Pixel Spacing	5/8" on Center		
Length	1 ft., 1.5 ft., 2 ft., and 4 ft.		
Total Width	1.21" Fixed Clip		
Total Height	2.08"		
Input Current	54mA @ 120V, 24mA @ 277V		
Color Options	2000K, 2400K, 2700K, 3000K, 3500K, 4000K, 5000K, 6500K		
Mounting	Fixed, Hinge		
Available Optics	120°, 15°x45°		
Rating	IP50, IP67		
CRI	90+ CRI		
Finish	Clear Anodized Aluminum		
Material	Anodized Aluminum		
Custom	Contact Factory		
Dimming	Patented CleanDim® Technology ensures even dimming from 0-100%.		
Max Run	76 ft. @ 120 V (6W), 156 ft. @ 277V (6W)		
Environmental	Operating temperature: -40°F-140°F Ambient(-40°C-60°C)** Storage temperature: -40°F-140°F Ambient indoor fixtures operation limited to =<50% relative humidity		

*Uses Boca SDS Module for 0-10V, Dali, or DMX Dimming.
**Military spec available under special request-lead times may be impacted.

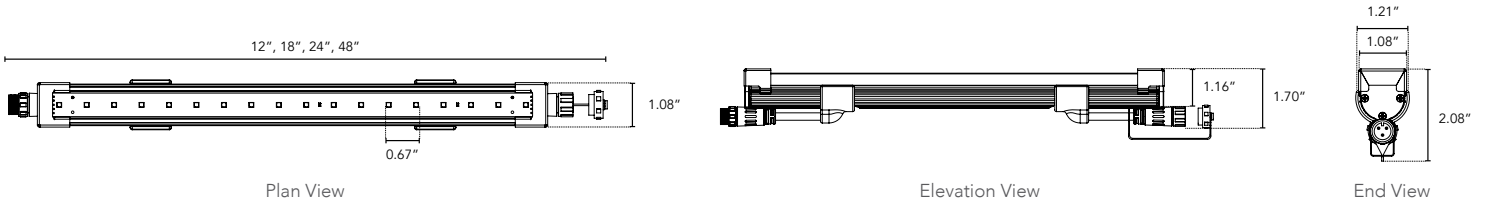


PRODUCT SPECIFICATIONS:

	WATTAGE	COLOR OPTION	VOLTAGE	OPTIC	FINISH	MOUNTING
Nano-X					A	
	3W	2000K	120V	15°x45°	A Clear Anodized Aluminum	F Fixed
	6W	2400K	277V	120°		H Hinge
		2700K				
		3000K				
		3500K				
		4000K				
		5000K				
		6500K				
RATINGS	LENS	BAFFLE				
I Interior-IP50	C Clear	SQ Square				
E Exterior-IP67	LD Light Diffused	ASYM Asymmetric				

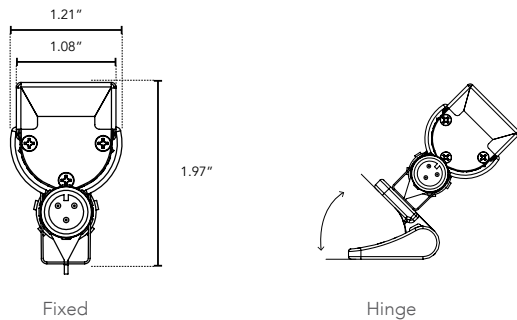
DIMENSIONS:

Note: Allow for 1/4" for each end cap and 1.25" for power feed cable.

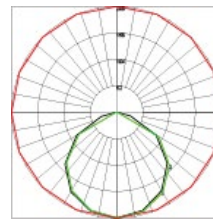


MOUNTING INFORMATION:

For vertical installation and installations above 4' please contact the factory for specific mounting instructions.



LUMINAIRE INFORMATION:



Fixture Type: 3500°K, 120° optic, 120V, 12"
Total lumen Output: 2290 Lumens per 4ft.
Luminaire Efficacy: 93 Lumens per watt

Characteristics:

LUMENS PER LAMP	572.6 (1 lamp)
TOTAL LAMP LUMENS	572.6
LUMINAIRE LUMENS	573
TOTAL LUMINAIRE EFFICIENCY	100%
LUMEN EFFICACY RATING	93
TOTAL LUMINAIRE WATTS	6.15
BALLAST FACTOR	1.00
CIE TYPE	Direct
SPACING CRITERION (0-180)	1.28
SPACING CRITERION (90-270)	1.30
SPACING CRITERION (Diagonal)	1.40
BASIC LUMINOUS SHAPE	Rectangular
LUMINOUS LENGTH (0-180)	0.31m
LUMINOUS WIDTH (90-270)	0.01m
LUMINOUS HEIGHT	0.00m