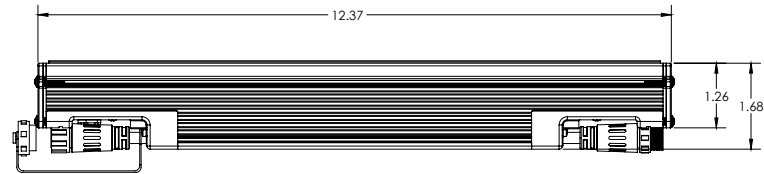
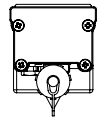


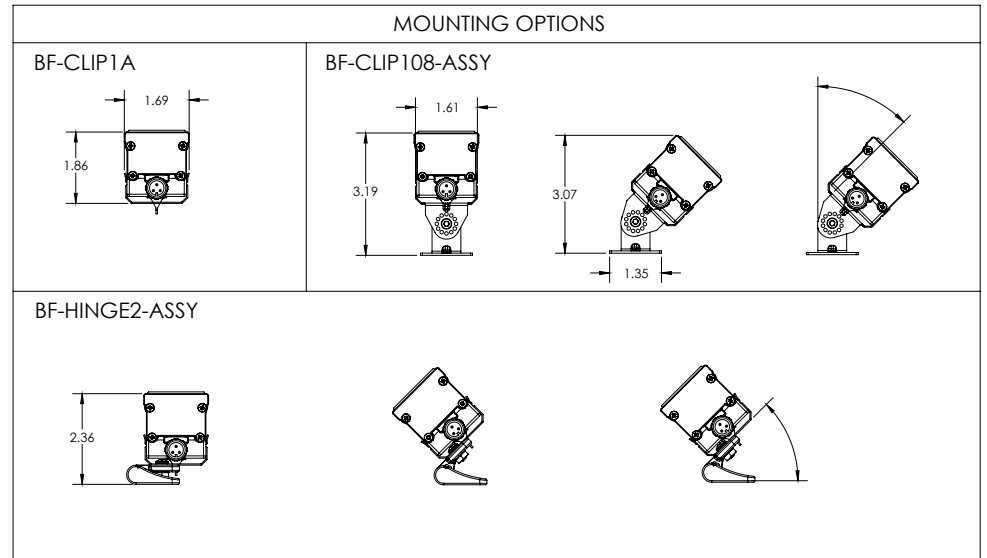
1 PLAN VIEW




2 ELEVATION VIEW



3 ENDCAP



TECHNICAL DATA	
Parameter	Data
Power	RGB 08W/ft, RGBW 10W/ft
Input Voltage	24VAC
Input Current per Linear Ft	400mA/ft RGB, 500mA/ft RGBW
Control	IMCS BOX WITH STANDARD DMX512
Power Cable Length	UL Standard 10ft
LED Spacing	.44"
Fixture Length	12" - 96" IN 6" INCREMENTS
Fixture Width	1.68"
Total Height (not including clips)	1.75"
Mounting	Fixed, Swivel or ARC
Available Optics	120°
Finish Options	Clear Anodized Aluminum or Black
LED Color Options	TRIPLE DIODE RGB OR TRIPLE DIODE RGB WITH WHITE OPTION
Color Rendering Index	95 CRI (WM)
Ratings	Dry, IP65, IP68
Total Linear ft per 20A breaker	150ft RGB, 128ft RGBW @ 120V Primary 330ft RGB, 280ft RGBW @ 277V Primary
Total Linear ft per 15A breaker	112ft RGB, 96ft RGBW @ 120V Primary 240ft RGB, 210ft RGBW @ 277V Primary
Total Linear ft per Power Feed Transformer	8ft RGB, 6ft RGBW Primary 120V or 277V, Secondary 24V

 LIGHTING   CONTROLS LED Lighting Systems, Technologies, & Manufacturing		PRODUCT NAME: <b>TRILIGHT-RT</b>		
		FILE NAME: TECHNICAL SHEET	PART #: TRILIGHT-RT	
508 South Military Trail Deerfield Beach FL, 33442		www.BocaFlasher.com (561) 989-5338	DRAWN BY: HYERI KANG	DATE: 03272020
THIS DOCUMENT IS CONFIDENTIAL AND PROTECTED BY COPYRIGHTS OF BOCA FLASHER INC.		DESIGN BY: LUIS ROSADO		
		APPROVED BY: M. PINDER	SCALE:	SHEET: 1 OF 1