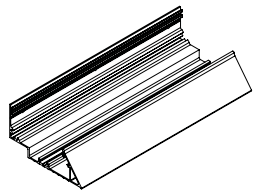




- Available in connectable sections including 4' straight, inside corner, and outside corner.
- Field cuttable to desired length and layout; see installation instructions for additional information on suggested materials.
- Extruded aluminum housing finished in a field paintable white powder coat.
- Each section accommodates 2 separate fixture rows for optimal lumen output and control.
 - Upper Fixture Row
 - Lower Fixture Row
- Accepts all Nano Series luminaires; 4 mounting clips provided per section.
- Mounting Hardware Required
- Interior Use Only

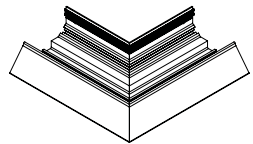
PRODUCT SPECIFICATIONS:

COMPATIBLE BOCA PRODUCTS



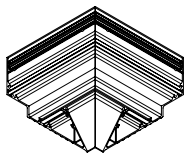
KEC STRAIGHT

Quantity



KEC INSIDE CORNER

Quantity



KEC OUTSIDE CORNER

Quantity

Mounting Hardware Required

CLIPS - 50/bag

Quantity

HANGERS - 20/bag

Quantity

JOINER BISCUITS - 20/bag

Quantity



NanoLume



Nano Warm Dim



NanoMix



NanoTune



NanoWedge

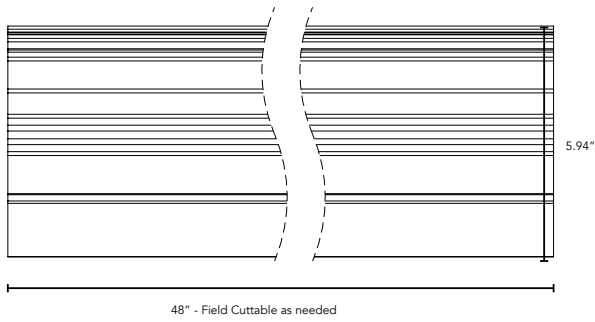


NanoX

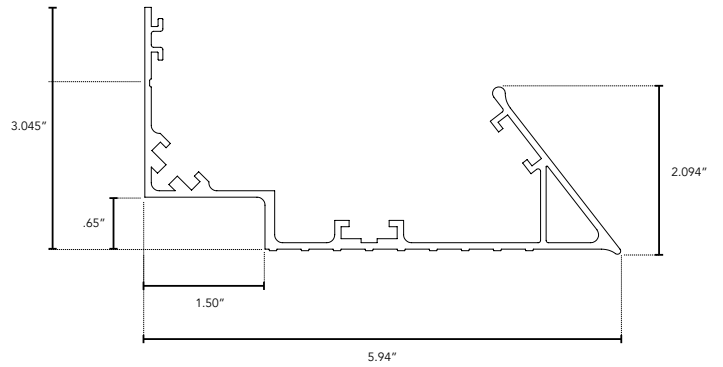


NanoHD

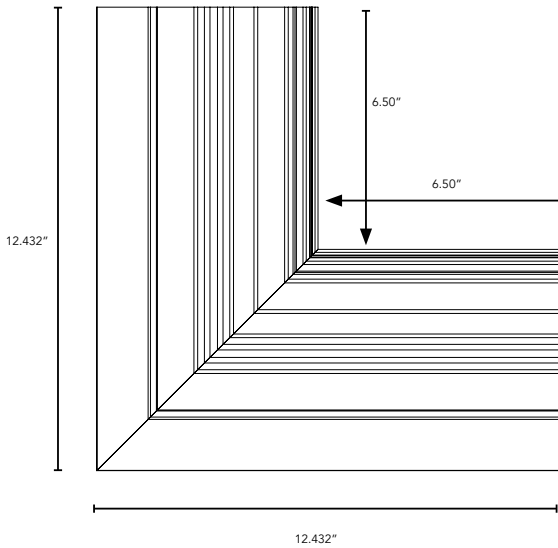
DIMENSIONS:



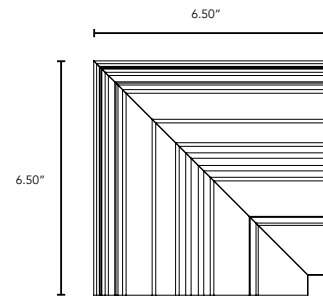
KEC Straight



KEC Profile

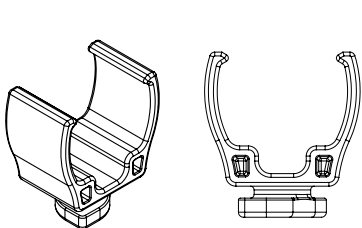


KEC Outside Corner

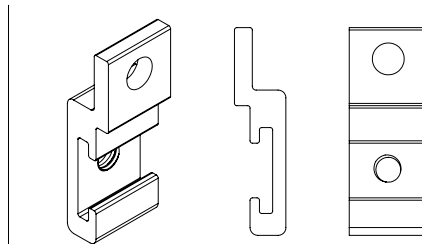


KEC Inside Corner

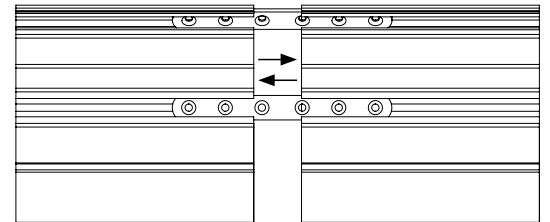
MOUNTING HARDWARE:



Clips



Hangers



Joiner Brackets