



HPNLS-MIX

Small Profile Color Changing LED Fixture

Customer: _____ Date: _____

Project: _____



Wattage	14W per linear ft*
Input Voltage	90-120V, 230-277V
Control	Standard DMX 512
LED Spacing	1.0" on Center
Length	12", 18", 24", 36", 48", 96"
Total Height	1.68"
Total Width	1.80" (not including clip)
Color Options	Alternating RGB, RGBW, Triple Diode RGB, White Mixing
Mounting	Fixed, Hinge, Vandal, Arc 3 or Arc 6
Available Optics	10°, 30°, 60°, 10° x 60°, 30° x 60°, 120°
Rating	IP50, IP67, IP69K
CRI	90+ for White Mix Only
Power Cable	UL Standard 10 ft
Environmental	Operating temperature: -40°F-140°F Ambient(-40°C-60°C)** Storage temperature: -40°F-140°F Ambient indoor fixtures operation limited to =<50% relative humidity

*Custom wattage available upon request. Title 24 compliant fixture not to exceed 18 watts / 4ft fixture.

** Military spec available under special request-lead times may be impacted.

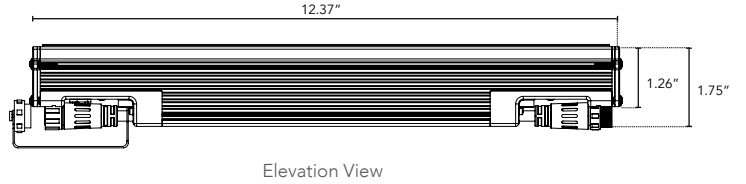
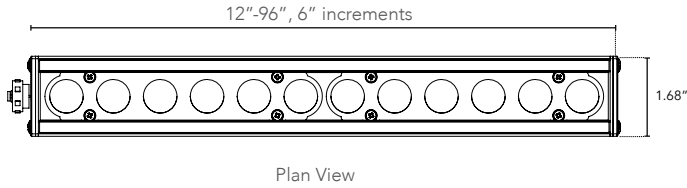


PRODUCT SPECIFICATIONS:

COLOR OPTION	OPTIC	VOLTAGE	FINISH	LOCATION	MOUNTING	LENS	WHITE MIXING OPTIONS
HPNLS-MIX							
RGB	10°	120V	W White	I Interior-IP50	F Fixed	C Clear	If specifying WM indicate white options here: (Up to 3 different options can be specified) 2700K 3000K 3500K 4000K 5000K Amber
RGBW	30°	277V	B Black	E Exterior-IP67	H Hinge	D Diffused	
TRGB Triple Diode (120° only)	60°		G Gray	K IP69K-Extreme Environment	3Arc 3" Arc Swivel	SI Satin Ice (Interior Use Only)	
WM White Color Mixing	10°x 60°				6Arc 6" Arc Swivel	OP Opal White	
*See White Mix Options	30°x 60°				V Vandal Resistant		
	120°						
OPTIONS							
SB Square Baffle			HL Hexcell Louver (Cannot be used with Satin Ice White or 120° optic)				
ASYM Asymmetric Baffle							
SKB Kicker Baffle							

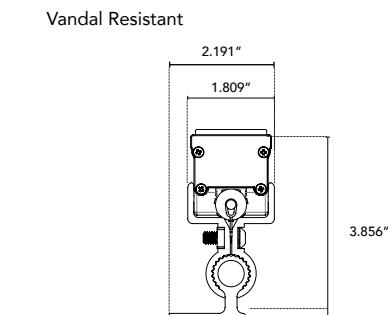
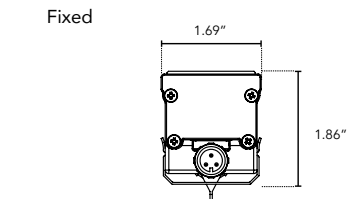
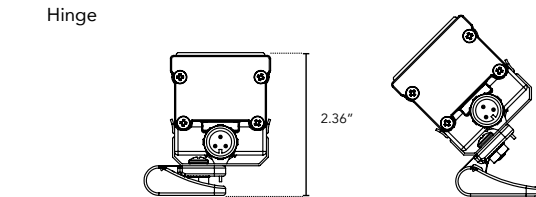
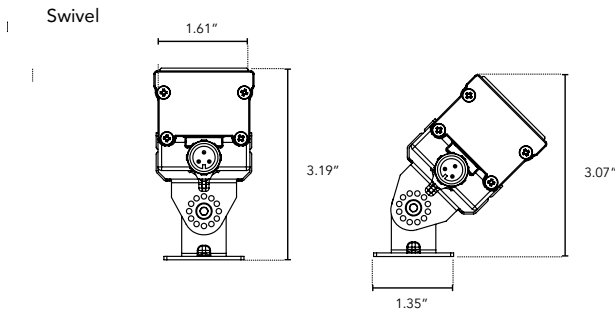
DIMENSIONS:

For vertical installation and installations above 4' please contact the factory for specific mounting instructions.



MOUNTING INFORMATION:

Note: Fixtures 1-2ft, Place clips 3" from edge as shown. Fixtures more than 2ft., Place clips 3.5" from edges as shown.



LIGHTSOURCE REPORT

WHITE W/CLEAR GLASS LENS

- CIE Colorimetric Parameters
- CCT: Tc = 3088K
- Photometric Parameters
- Luminous Flux: 634.40 lm
- Efficiency: 59.46 lm/W

WHITE W/CLEAR GLASS LENS

- RGBW w/Clear Glass Lens
- CCT: Tc = 4392K
- Photometric Parameters
- Luminous Flux: 922.16 lm
- Efficiency: 34.65 lm/W