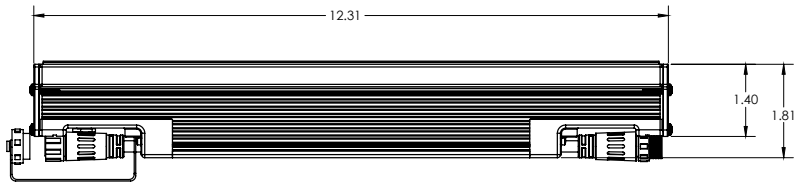
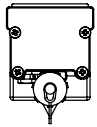


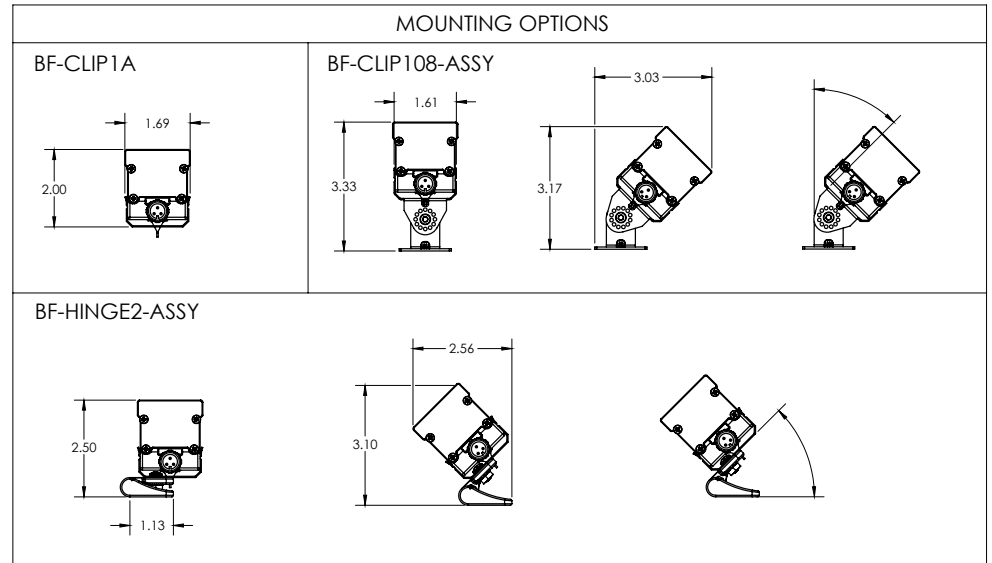
△ PLAN VIEW




△ ELEVATION VIEW



△ ENDCAP



TECHNICAL DATA	
Parameter	Data
Power	8 watts per linear ft.
Input Voltage	12VAC
Input Current per Linear Ft	410mA
Control	Standard Magnetic Low voltage Dimming
Power Cable Length	UL Standard 10ft
LED Spacing	1.5" on center
Fixture Length	12"-72", in 6" increment
Fixture Width	1.68"
Total Height (not including clips)	1.75"
Mounting	Fixed, Swivel, 3" Arc Bracket or 6" Arc Bracket
Available Optics	10°, 30°, 60°, 10°x60°, 30°x60°, 120°
Finish Options	Clear or Black Anodized Aluminum
LED Color Options	27K, 3K, 35K, 4K,5K, Amber, Red, Green,Blue
Color Rendering Index	90+ CRI
Ratings	Dry, IP65, IP68
Total Linear ft per 20A breaker	150ft@120V or 330ft@277V
Total Linear ft per 15A breaker	112ft@120V or 240ft@277V
Total Linear ft per Power Feed	6ft
Transformer	Primary 120V or 277V, Secondary 12V

 LED Lighting Systems, Technologies, & Manufacturing		PRODUCT NAME: HPNFC-RT		
		FILE NAME: TECHNICAL SHEET	PART #:HPNFC-RT	
508 South Military Trail Deerfield Beach FL, 33442		www.BocaFlasher.com (561) 989-5338	DRAWN BY: HYERI KANG	DATE: 03272020
THIS DOCUMENT IS CONFIDENTIAL AND PROTECTED BY COPYRIGHTS OF BOCA FLASHER INC.		DESIGN BY: LUIS ROSADO	APPROVED BY: M. PINDER	SCALE:
		SHEET: 2 OF 2	REV: A	