



WA5

Boca Wireless Family:
Wide Area Wireless Transmitter

Customer:

Date:

Type:

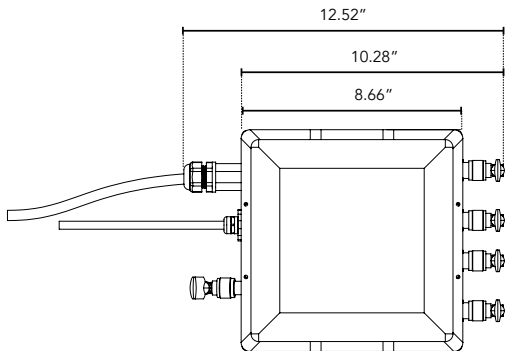
Project:



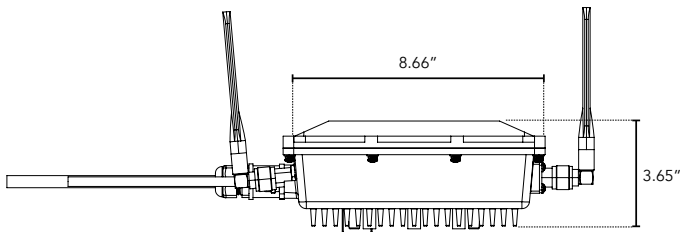
- The Boca Flasher WA5 provides a W-DMX Wireless Transmitter solution.
- Universal Power and POE.
- IP68
- Five 2.4GHz PA Transmitter.
- RJ45 Data input (W2A).
- 28db Effective Radiated Power per PA .
- Smart Link Protocol.
- Pulsar Technology (Patent Pending)
- 500m Radius coverage
- 2Km Radius coverage with 16dbi directional antenna use.
- Compatible with: NanoRFO, NanoRouter, NanoRouter-X, SDS-DMX, HPCCS, HPFB, SBLMIX.

DIMENSIONS:

Plan View



Elevation View



PRODUCT SPECIFICATIONS:

	INPUT CABLE	VOLTAGE	FINISH	ANTENNA
WA5	SJOW 18-3	UNIV POE	PC White	DA Directional RA Remote SA Standard Low Profile

TECHNICAL SPECIFICATIONS:

INPUT VOLTAGE	UNIV, POE
INPUT PORT	RJ45
OUTPUT PORTS	RF 21dbmx5
FREQUENCY	2.4GHZ
TOTAL WIDTH	8.66"
TOTAL HEIGHT	3.65"
MAX LOAD	360mA

WA5

Boca Wireless Family: Wide Area Wireless Transmitter



MATRIX:

		CONTROLS											
		SDS10V	SDS-DMX	NDI-10V	NDT-10V	N-RFO	NanoRouter	NanoRouter-X	WA5	Monolink-W10V	MonoBoost	MonoDMXTX	PDMX-C
FIXTURES	NanoHD	●	●	●		●	●	●		●			
	NanoWarmDim	●	●	●		●	●	●		●			
	NanoLume	●	●	●		●	●	●		●			
	NanoX	●	●	●		●	●	●		●			
	HPNFC-HO	●	●										
	HPNLS-HO	●	●										
	HPNLS-LO	●	●										
	Lumeline	●	●										
	Niche-HV	●	●										
	SBL-MC	●	●										
	NanoMix						●	●					
	HPNLS-MIX						●	●					
	Tri-Light HV						●	●					
	NanoTune			●	●	●	●						
	HPCCS						●	●	●		●	●	●
	HPFB						●	●	●		●	●	●
	SBL-MIX						●	●	●		●	●	●
	N-RFO						●	●	●		●	●	●
	NanoRouter						●	●	●		●	●	●
	NanoRouter-X						●	●	●		●	●	●
	Monolink-W10V						●	●	●		●	●	●
	MonoBoost						●	●	●		●	●	●
	WA5												●
	SDS-DMX						●	●	●		●	●	●
	SDS-10V									●			