



# NANOROUTER-X

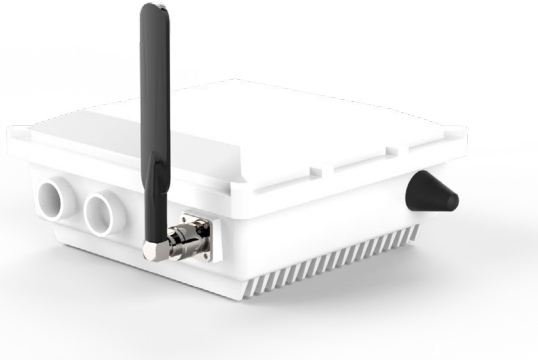
Boca DMX/Dimmer Family:  
IP68 DMX512 Router/Smart Dimmer

Customer:

Date:

Type:

Project:



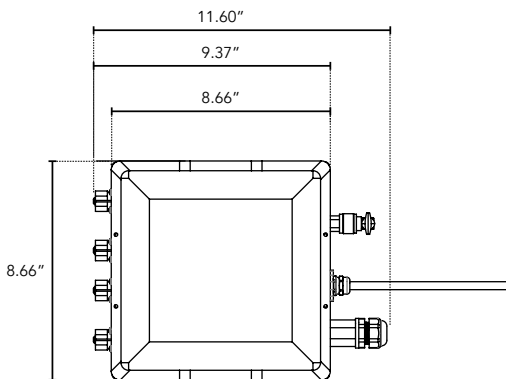
- The Boca Flasher NanoRouter-X provides a DMX interface to 4 independent DMX or analog fixture streams on the network.
- Each ports can also support Reverse Phase dimming capability of Boca Flasher single color products.
- Each port can be independently configured for Data Broadcast, Footby-Foot fixture control, Segmented and Advanced Segmentation options available.
- Two input data bridge mode available A2W and W2A for DMX Routing.
- Three input data protocol for dimming: DMX, Wireless DMX, and 0-10V.
- Dual 0-10V source.
- Configurable through USB Port using using Boca provided BFCU Software, Hyper-Terminal, and WIFI (pending).
- Output ports compatible with: NanoMix, NanoTune, NanoDim, Trilight HV, HPNLS-Mix, HPNLS-TW, HPNLS-HO, HPNLS-LO, HPNFC, Lumeline, Nanolume, Nanolume-HD, NanoX.

## PRODUCT SPECIFICATIONS:

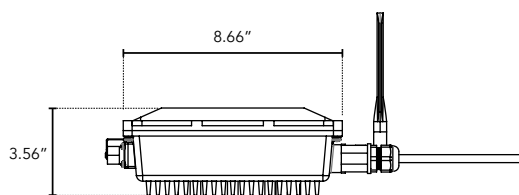
	INPUT CABLE	VOLTAGE	FINISH		MODE	WIRING
Nano Router	CAT6, CAT7	UNIV	W			
			W White	D DMX	TX Wireless DMX A2W	EP Edison Plug
				WD Wierless DMX	RX Wireless DMX W2A	HW Hard Wired
					W Hard Wire DMX	

## DIMENSIONS:

Plan View



Elevation View



## TECHNICAL SPECIFICATIONS:

INPUT VOLTAGE	120V-277V
INPUT PORT	DMX, W-DMX, 10V
OUTPUT PORTS	DMX - Signal, Proprietary Connections for Boca Flasher Products
FREQUENCY	60HZ
TOTAL WIDTH	8.66"
TOTAL HEIGHT	3.56"
MAX LOAD	5A per Port

# NANOROUTER-X

Boca DMX/Dimmer Family: IP68 DMX512 Router/Smart Dimmer



## MATRIX:

		CONTROLS											
		SDS10V	SDS-DMX	NDI-10V	NDT-10V	N-RFO	NanoRouter	NanoRouter-X	WA5	Monolink-W10V	MonoBoost	MonoDMXTX	PDMX-C
FIXTURES	NanoHD	●	●	●		●	●	●		●			
	NanoWarmDim	●	●	●		●	●	●		●			
	NanoLume	●	●	●		●	●	●		●			
	NanoX	●	●	●		●	●	●		●			
	HPNFC-HO	●	●										
	HPNLS-HO	●	●										
	HPNLS-LO	●	●										
	Lumeline	●	●										
	Niche-HV	●	●										
	SBL-MC	●	●										
	NanoMix						●	●					
	HPNLS-MIX						●	●					
	Tri-Light HV						●	●					
	NanoTune				●	●	●	●					
	HPCCS						●	●	●		●	●	●
	HPFB						●	●	●		●	●	●
	SBL-MIX						●	●	●		●	●	●
	N-RFO						●	●	●		●	●	●
	NanoRouter						●	●	●		●	●	●
	NanoRouter-X						●	●	●		●	●	●
	Monolink-W10V						●	●	●		●	●	●
	MonoBoost						●	●	●		●	●	●
	WA5												●
	SDS-DMX						●	●	●		●	●	●
	SDS-10V									●			