



KNIFE EDGE COVE

Architectural Cove System

Customer:

Date:

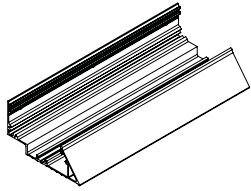
Type:

Project:



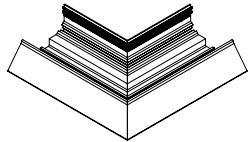
- Available in connectable sections including 4' straight, inside corner, and outside corner.
- Field cuttable to desired length and layout; see installation instructions for additional information on suggested materials.
- Extruded aluminum housing finished in a field paintable white powder coat.
- Each section accommodates 2 separate fixture rows for optimal lumen output and control.
 - Upper Fixture Row
 - Lower Fixture Row
- Accepts all Nano Series luminaires; 4 mounting clips provided per section.
- Mounting Hardware Required
- Interior Use Only

PRODUCT SPECIFICATIONS:



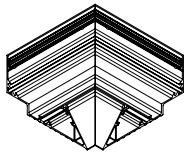
KEC STRAIGHT

Quantity



KEC INSIDE CORNER

Quantity



KEC OUTSIDE CORNER

Quantity

Mounting Hardware Required

CLIPS - 50/bag

Quantity

HANGERS - 20/bag

Quantity

JOINER BISCUITS - 20/bag

Quantity

COMPATIBLE BOCA PRODUCTS



NanoLume



Nano Warm Dim



NanoMix



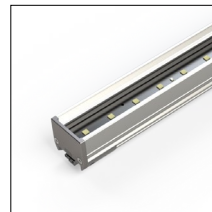
NanoTune



NanoWedge



NanoX



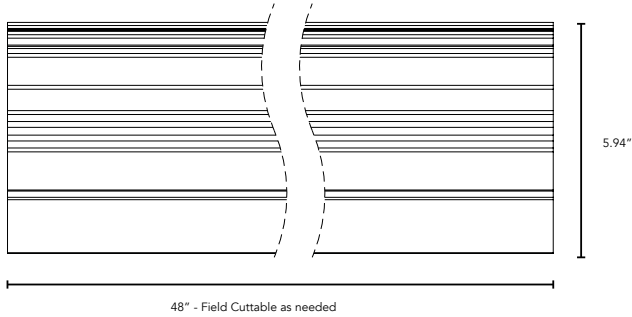
NanoHD

KNIFE EDGE COVE

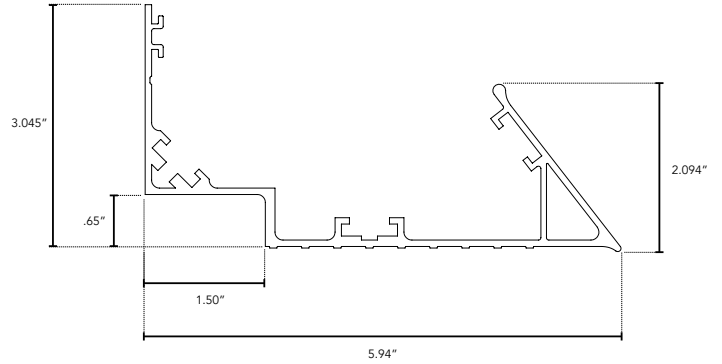
Architectural Cove System

DIMENSIONS:

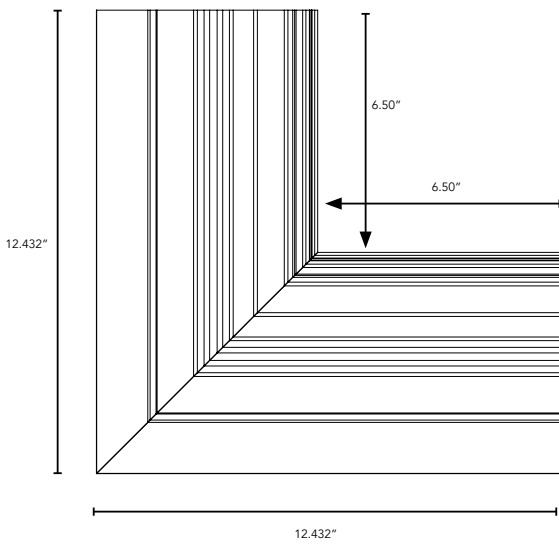
KEC Straight



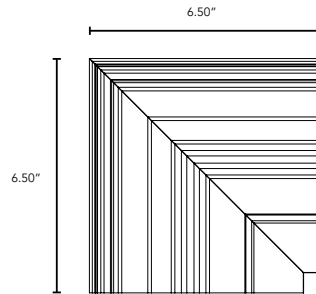
KEC Profile



KEC Outside Corner



KEC Inside Corner



MOUNTING HARDWARE:

Clips

Hangers

Joiner Brackets

