

- Compact, variable light fixture for dry location use.
- Fixture comes in 6" increments (12" minimum)
- Many options in optics, color temperature and accessories.
- EMI Filter integral.
- Boca Flasher's patented CleanDim® technology ensures even dimming from 0-100%.
- Fixtures are compatible with both forward and reverse phase dimming or can use Boca's SDS module for 0-10V DALI or DMX dimming.
- Uses standard line voltage dimmers.
- White, Black, Gray finish standard.
- Total linear foot per power feed: 8W = 80 ft., 10W = 65 ft.
- Contact Boca Flasher for tips with custom installations.
- Interior Only. Consult factory for exterior installations.



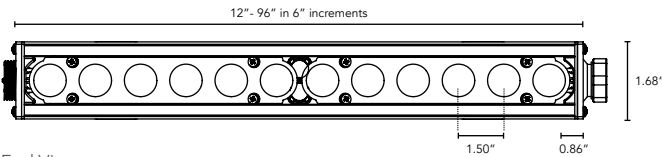
PRODUCT SPECIFICATIONS:

LED SPACING	COLOR OPTION	OPTIC	VOLTAGE	FINISH	LOCATION	MOUNTING	LENS	OPTIONS
HPNFC								
HO8 5W/FT	2700K	10°	120V	W White	I Interior-IP50	F Fixed	C Clear	SB Square Baffle
HO8 8W/FT	3000K	30°	277V	B Black		S Swivel	D Diffused	ASYM Asymmetric Baffle
HO8 10W/FT	3500K	60°		G Gray		H Hinge	SI Satin Ice (Interior Use Only)	SKB Kicker Baffle
	4000K	10°x60°				3Arc 3" Arc Swivel		HL Hexcell Louver (Cannot be used with Satin Ice White or 120° optic)
	5000K	30°x60°				6Arc 6" Arc Swivel		
	Amber	120°						
	Red							
	Green							
	Blue							

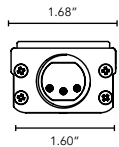
DIMENSIONS:

- For vertical installation please contact the factory for specific mounting instructions.
- For installations above 4' please contact the factory.

Plan View



End View



Elevation View



HPNFC-HO

Interior Shallow Profile Linear LED Strip Fixture



TECHNICAL SPECIFICATIONS:

WATTAGE	5, 8 or 10 watts per linear ft.
INPUT VOLTAGE	90-120V or 230-277V
CONTROL	Leading Edge/Trailing Edge line dimmer 0-10V, DALI, DMX*
LED SPACING	1.5" on center
LENGTH	12" - 96", 6" increments
TOTAL HEIGHT	1.27" (not including clip) or 1.39" with satin ice lens
TOTAL WIDTH	1.68"
COLOR OPTIONS	2700K, 3000K, 3500K, 4000K, 5000K, amber, red, green, blue
MOUNTING	Fixed, swivel, 3" Arc or 6" Arc
AVAILABLE OPTICS	10°, 30°, 60°, 10° x 60°, 30° x 60°, 120°
RATING	IP50
COLOR RENDERING INDEX (CRI)	90 + CRI
POWER CABLE	UL Standard 10 ft.
ENVIRONMENTAL	Operating temperature -40°F-140°F Ambient (-40°C-60°C)** Storage temperature -40°F-140°F Ambient indoor fixtures operation limited to =<50% relative humidity
FINISH	White, Black and Gray

** Military spec available under special request-lead times may be impacted.

LENS OPTIONS:

Diffused*

- 87% transmission.
- Lens is 1/8" (.09) thick, adds 1/16" to overall height of fixture.

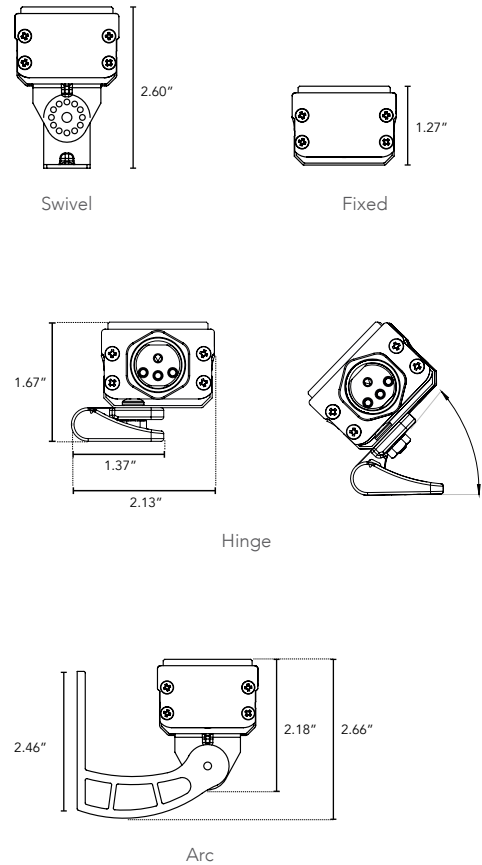
*Additional chargers apply. Call factory for more information.

Satin Ice White*

- Best for direct view use.
- 42% transmission.
- Lens is 1/4" (.25) thick, adds 1/8" to overall height of fixture.

*Additional chargers apply. Call factory for more information.

LENS OPTIONS:

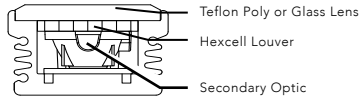
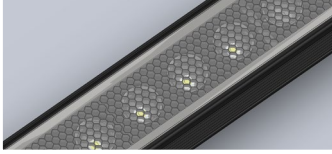


HPNFC-HO

Interior Shallow Profile Linear LED Strip Fixture



BODY CHOICES:



Hexcell Louver

- Economical solution to off axis glare issues.
- Louver is located flush to secondary optic, preventing unwanted striation.
- Louver cannot be utilized when no optic (120°) is specified.
- Louver is behind lens to ensure no damage is done during installation or after. This also ensures no dust build-up.
- Louver ships pre-fitted making on site fixture installation easy.
- No unsightly clips, screws, or brackets.
- Can be used with other baffles.
- Adds nothing to overall height.
- To specify add "HL" in options box.

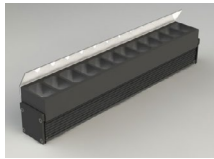
*Additional charges may apply.



SB - Square Baffle



SSB - Sq. Slanted Baffle



SKB - Sq. Kicker Baffle

Baffle Square Design

- Design cuts off light at 90°
- Baffles are lightweight black PVC with non-reflective surfaces to avoid glare from interior sections.
- One piece baffle slides onto the extruded housing making installation easy.
- SB only adds .75" to overall height
SSB adds .90" to overall height
SKB adds 1.625" to overall height
- To specify add "SB" or "SSB" for slanted version or "SKB" for kicker version in options box.

LUMINAIRE INFORMATION:

LUMENS PER LAMP -3500K 30X60	936 (1 lamp)
TOTAL LAMP LUMENS	936
LUMINAIRE LUMENS	936
TOTAL LUMINAIRE EFFECIENCY	100%
LUMEN EFFECACY RATING	94
TOTAL LUMINAIRE WATTS	10.02
BALLAST FACTOR	1.00
CIE TYPE	Direct
SPACING CRITERION (0-180)	0.58
SPACING CRITERION (90-270)	0.62
SPACING CRITERION (Diagonal)	0.60
BASIC LUMINOUS SHAPE	Rectangular
LUMINOUS LENGTH (0-180)	0.31m
LUMINOUS WIDTH (90-270)	0.04m
LUMINOUS HEIGHT	0.03m

- Lo8 Data - 10W for 6W use 0.65 multiplier
- Specific Files Available On Request